



WSF

Willoughby Stainless Fountains

Stainless Steel Every Time

PRODUCT CATALOG



(Page Intentionally Left Blank)

PRODUCT CATALOG - TABLE OF CONTENTS



- OUTDOOR DRINKING FOUNTAINS _____ WSF1-1
- OUTDOOR BOTTLE FILLERS _____ WSF2-1
- OUTDOOR SHOWERS _____ WSF3-1
- WATERLESS TOILETS _____ WSF4-1
- WATERLESS URNIALS _____ WSF5-1
- OUTDOOR HAND SANITIZER STATION _____ WSF6-1
- OUTDOOR FRONT APPROACH DRINKING FOUNTAINS _____ WSF7-1
- OUTDOOR FRONT APPROACH BOTTLE FILLERS _____ WSF8-1



OUTDOOR DRINKING FOUNTAINS

Willoughby Stainless Fountains



WODF-1 Series Outdoor Drinking Fountain

Recommended Specifications

Willoughby Model **WODF-1** outdoor drinking fountain is a single-level, vandal resistant drinking fountain with Type 304 stainless steel 10" Schedule-10 main column and 7 GA. flange.

Fountain shall have a high-polished, 18 GA. stainless steel bowl with anti-rotation, anti-squirt, solid stainless steel bubbler. Bubbler shall be activated by a pedestal-mounted solid stainless steel push button assembly, which controls a lead-free, self-closing valve.

Push button shall require less than 5 lbs. of force to operate. Push button shall be adjustable to ensure adequate flow without being wasteful. **WODF-1** fountain shall be lead-free, adhering to ANSI/NSF 61, Section 9 requirements.

Fountain is available in an ADA configuration that shall meet American Disabilities Act of 2010 (ADA) compliance requirements; see option (HC) on the following page.

Optional mounting kit available for purchase consisting of stainless steel anchors, nuts, washers and rubber gasket washers. If optional kit is not used, stainless steel hardware recommended.

Standard Features

- * Heavy duty Type 304 stainless steel 10" Schedule-10 main column and 7 GA. flange
- * Optional marine-grade Type 316 stainless steel body for installations near salt water
- * High polished stainless steel bowl
- * Solid stainless steel, anti-rotation bubbler
- * Serviceable mesh strainer on inlet water supply
- * Heavy-duty main column access panel
- * Resistant to sunlight, heat and vandalism
- * Stainless steel adjustable push button
- * Powder coat finish (color options on page 2)

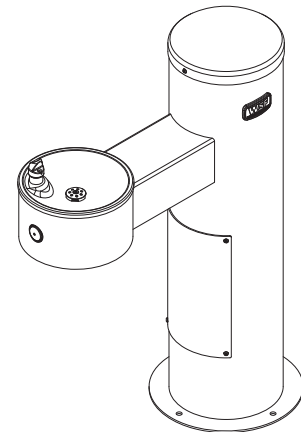
To specify fixture and color, use the Model Number and Options Guide.

Example: To specify a WODF-1 outdoor drinking fountain in Silver color

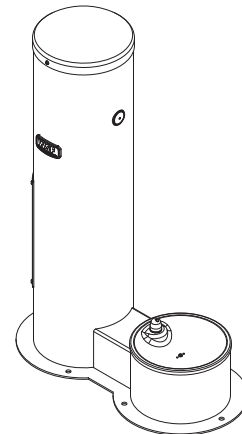
Use the following Willoughby Model Number: **WODF-1-SL**



WODF-1



WODF-1-HC



WODF-1-PET



WARNING: Cancer and Reproductive Harm

- www.P65Warnings.ca.gov

visit our website at www.willoughbystainlessfountains.com

5105 West 78th Street • Indianapolis, IN. 46268

(317) 875-0830 • Fax: (317) 875-0837 • (800) 428-4065



MADE IN THE U.S.A.

MODEL NUMBER AND OPTIONS:

1.) Outdoor Drinking Fountain Type:

- WODF-1 Single-bowl Outdoor Drinking Fountain

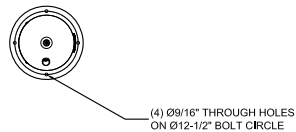
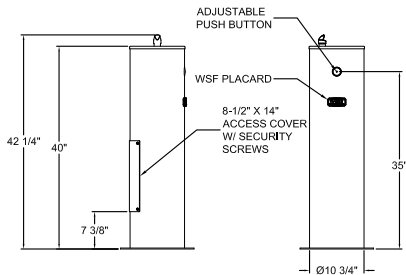
2.) Options:

- HC Adult ADA Compliant Single-bowl Fountain
 PET Pet Single-bowl Fountain
 316-1 316 Stainless Steel Body, Single
 CAR-1 Surface Carrier, Single (Including mounting hardware)
 SOV Shut Off Valve
 SCV Seasonal Bowl Cover (1)
 JF Jug Filler
 HBE Hose Bibb Exposed
 HBLD Recessed Hose Bibb w/ Lock Door
 HH Hose / Leash Hanger
 FW Foot Wash
 WSFMK4 4 Bolt Hole Mounting Kit (Not req'd with Carrier option)

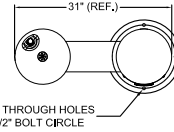
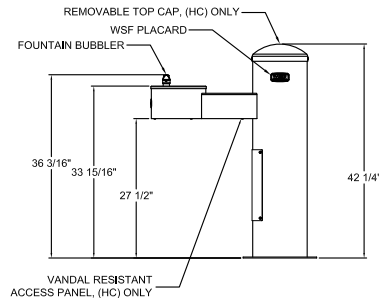
3.) Colors (select one):

- SL Silver
 G Green
 R Red
 BL Blue
 O Orange
 V Violet
 Y Yellow
 BR Brown
 BK Black
 BE Beige
 W White
 YG Yellow Green
 LBL Light Blue
 GT Graphite (Textured)
 MTW Matte White

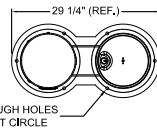
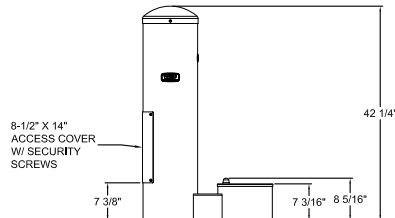
Approved For Manufacturing By: _____ Date: _____ Company: _____
 Wall Thickness: _____ Wall Type: _____



WODF-1



WODF-1-HC (ADA OPTION)



WODF-1-PET (PET OPTION)

VERIFY ALL DIMENSIONS WITH FACTORY PRIOR TO ROUGH-IN
 WILLOUGHBY RESERVES THE RIGHT TO MAKE CHANGES IN DESIGN AND DIMENSIONS WITHOUT FORMAL NOTICE AND WITHOUT INCURRING OBLIGATION.

visit our website at www.willoughbystainlessfountains.com
 5105 West 78th Street • Indianapolis, IN. 46268
 (317) 875-0830 • Fax: (317) 875-0837 • (800) 428-4065



MADE IN THE U.S.A.

Willoughby Stainless Fountains



WODF-2 Series Outdoor Drinking Fountain

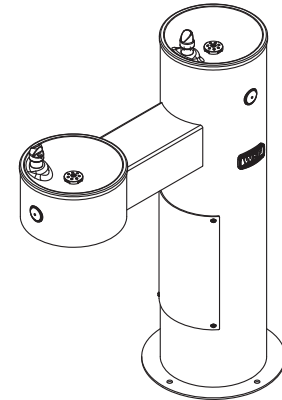
Recommended Specifications

Willoughby Model **WODF-2** outdoor drinking fountain is a dual-level, vandal resistant drinking fountain with Type 304 stainless steel 10" Schedule-10 main column and 7 GA. flange.

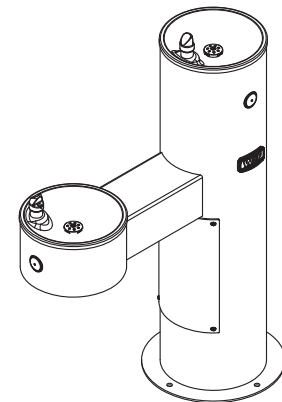
Fountain shall have high-polished, 18 GA. stainless steel bowls with anti-rotation, anti-squirt, solid stainless steel bubblers. Bubblers shall be activated by pedestal mounted solid stainless steel push button assemblies, which control lead-free, self-closing valves.

Push buttons shall require less than 5 lbs. of force to operate. Push buttons shall be adjustable to ensure adequate flow without being wasteful. **WODF-2** fountain shall be lead-free, adhering to ANSI/NSF 61, Section 9, ANSI A117.1. Fixtures in (HC) and (CHD) configurations shall meet American Disabilities Act of 2010 (ADA) compliance requirements.

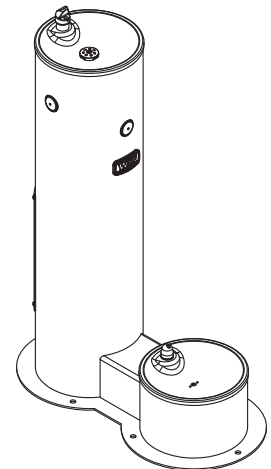
Optional mounting kit available for purchase consisting of stainless steel anchors, nuts, washers and rubber gasket washers. If optional kit is not used, stainless steel hardware recommended.



WODF-2-HC



WODF-2-CHD



WODF-2-PET

Standard Features

- * Adult ADA and Child (JR.) ADA compliant fixture configurations available
- * Heavy duty Type 304 stainless steel 10" Schedule-10 main column and 7 GA. flange
- * Optional marine-grade Type 316 stainless steel body for installations near salt water
- * High polished stainless steel bowls
- * Solid stainless steel, anti-rotation bubblers
- * Serviceable mesh strainer on inlet water supply
- * Heavy-duty main column access panel
- * Resistant to sunlight, heat and vandalism
- * Stainless steel adjustable push buttons
- * Powder coat finish (color options on page 2)

To specify fixture and color, use the Model Number and Options Guide.

Example: To specify a WODF-2 outdoor drinking fountain with Child-height (JR. ADA) bowl, in Green color

Use the following Willoughby Model Number: **WODF-2-CHD-G**



WARNING: Cancer and Reproductive Harm

- www.P65Warnings.ca.gov

visit our website at www.willoughbystainlessfountains.com

5105 West 78th Street • Indianapolis, IN. 46268

(317) 875-0830 • Fax: (317) 875-0837 • (800) 428-4065



MADE IN THE U.S.A.

MODEL NUMBER AND OPTIONS:

1.) Outdoor Drinking Fountain Type:

- WODF-2 Two-bowl Outdoor Drinking Fountain

2.) Bowl Height (other than main column bowl):

- HC Adult ADA Compliant
 CHD Child (JR. ADA Compliant)
 PET Pet

3.) Options:

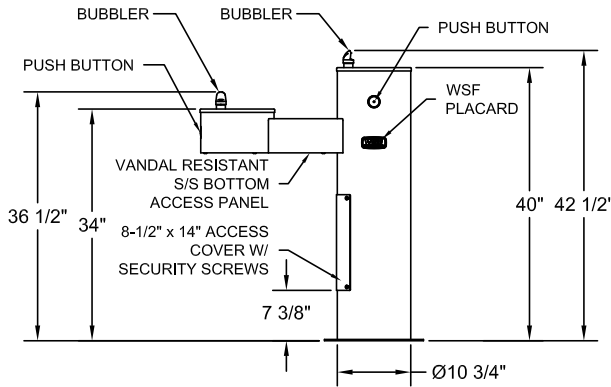
- 316-2 316 Stainless Steel Body, Double
 CAR-1 Surface Carrier, Single (Including mounting hardware)
 CAR-2 Surface Carrier, Double (Including mounting hardware)
 SOV Shut Off Valve
 SCV Seasonal Bowl Covers (2)
 JF Jug Filler
 HBE Hose Bibb Exposed
 HBLD Recessed Hose Bibb w/ Lock Door
 HH Hose / Leash Hanger
 FW Foot Wash
 WSFMK4 4 Bolt Hole Mounting Kit (Not req'd with Carrier option)
 WSFMK6 6 Bolt Hole Mounting Kit (Not req'd with Carrier option)

4.) Colors (select one):

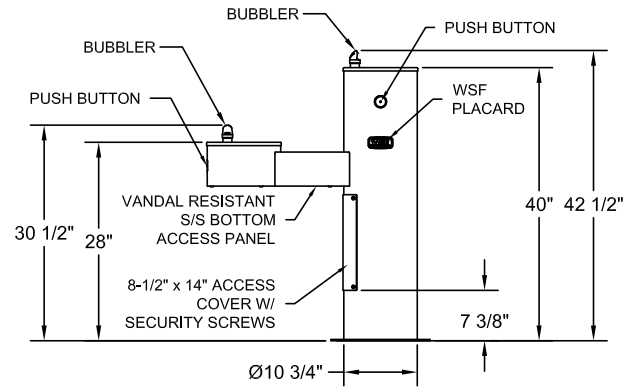
- SL Silver
 G Green
 R Red
 BL Blue
 O Orange
 V Violet
 Y Yellow
 BR Brown
 BK Black
 BE Beige
 W White
 YG Yellow Green
 LBL Light Blue
 GT Graphite (Textured)
 MTW Matte White

Approved For Manufacturing By: _____ Date: _____ Company: _____
 Wall Thickness: _____ Wall Type: _____

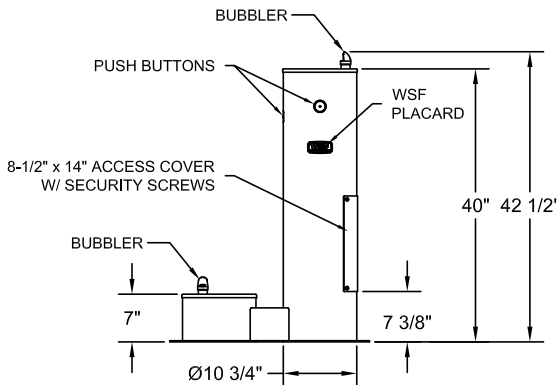
VERIFY ALL DIMENSIONS WITH FACTORY PRIOR TO ROUGH-IN
 WILLOUGHBY RESERVES THE RIGHT TO MAKE CHANGES IN DESIGN AND DIMENSIONS WITHOUT FORMAL NOTICE AND WITHOUT INCURRING OBLIGATION.



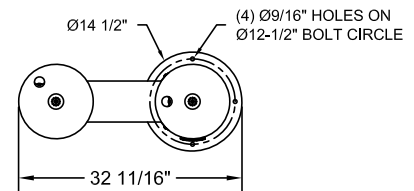
WODF-2-HC



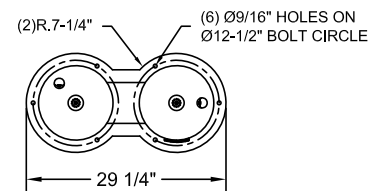
WODF-2-CHD



WODF-2-PET



WODF-2-HC &
WODF-2-CHD



WODF-2-PET

visit our website at www.wiloughbystainlessfountains.com

5105 West 78th Street • Indianapolis, IN. 46268
 (317) 875-0830 • Fax: (317) 875-0837 • (800) 428-4065



MADE IN THE U.S.A.

Willoughby Stainless Fountains



WODF-3 Series Outdoor Drinking Fountain

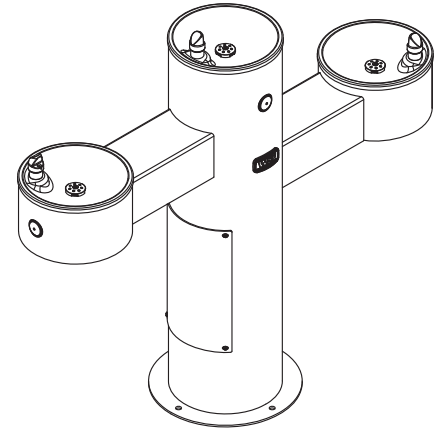
Recommended Specifications

Willoughby Model **WODF-3** outdoor drinking fountain is a triple-level, vandal resistant drinking fountain with Type 304 stainless steel 10" Schedule-10 main column and 7 GA. flange.

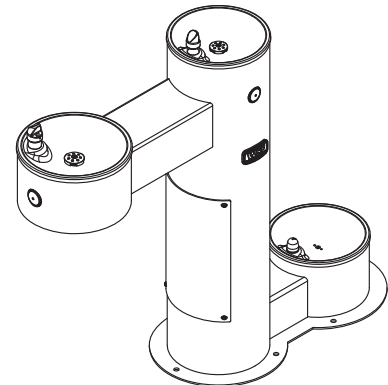
Fountain shall have high-polished, 18 GA. stainless steel bowls with anti-rotation, anti-squirt, solid stainless steel bubblers. Bubblers shall be activated by pedestal mounted solid stainless steel push button assemblies, which control lead-free, self-closing valves.

Push buttons shall require less than 5 lbs. of force to operate. Push buttons shall be adjustable to ensure adequate flow without being wasteful. **WODF-3** fountain shall be lead-free, adhering to ANSI/NSF 61, Section 9, ANSIA117.1. Fixtures in (HC) and (CHD) configurations shall meet American Disabilities Act of 2010 (ADA) compliance requirements.

Optional mounting kit available for purchase consisting of stainless steel anchors, nuts, washers and rubber gasket washers. If optional kit is not used, stainless steel hardware recommended.



WODF-3-HC-CHD



WODF-3-HC-PET
(SIDE PET LOCATION)

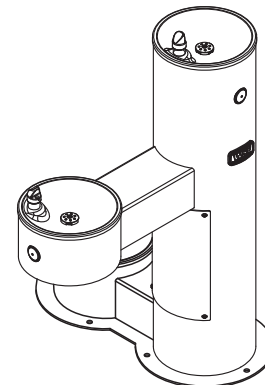
Standard Features

- * Adult ADA and Child (JR.) ADA compliant fixture configurations available
- * Heavy duty Type 304 stainless steel 10" Schedule-10 main column and 7 GA. flange
- * Optional marine-grade Type 316 stainless steel body for installations near salt water
- * High polished stainless steel bowls
- * Solid stainless steel, anti-rotation bubblers
- * Serviceable mesh strainer on inlet water supply
- * Heavy-duty main column access panel
- * Resistant to sunlight, heat and vandalism
- * Stainless steel adjustable push buttons
- * Powder coat finish (color options on page 2)

To specify fixture and color, use the Model Number and Options Guide.

Example: To specify a WODF-3 outdoor drinking fountain with Adult ADA and Child-height (JR. ADA) bowls, in Red color

Use the following Willoughby Model Number: **WODF-3-HC-CHD-R**



WODF-3-CHD-PET
(REAR PET LOCATION)



WARNING: Cancer and Reproductive Harm

- www.P65Warnings.ca.gov

visit our website at www.willoughbystainlessfountains.com

5105 West 78th Street • Indianapolis, IN. 46268
(317) 875-0830 • Fax: (317) 875-0837 • (800) 428-4065



MADE IN THE U.S.A.

MODEL NUMBER AND OPTIONS:

1.) Outdoor Drinking Fountain Type:

- WODF-3 Three-bowl Outdoor Drinking Fountain

2.) Bowl Height (other than main column bowl, select two):

- HC Adult ADA Compliant
 CHD Child (JR. ADA Compliant)
 PET Pet Bowl
 Side Rear

3.) Options:

- 316-3 316 Stainless Steel Body, Triple
 CAR-1 Surface Carrier, Single (Including mounting hardware)
 CAR-2 Surface Carrier, Double (Including mounting hardware)
 SOV Shut Off Valve
 SCV Seasonal Bowl Covers (3)
 JF Jug Filler
 HBE Hose Bibb Exposed
 HBLD Recessed Hose Bibb W/Lock Door
 HH Hose / Leash Hanger
 FW Foot Wash
 WSFMK4 4 Bolt Hole Mounting Kit (Not req'd with Carrier option)
 WSFMK6 6 Bolt Hole Mounting Kit (Not req'd with Carrier option)

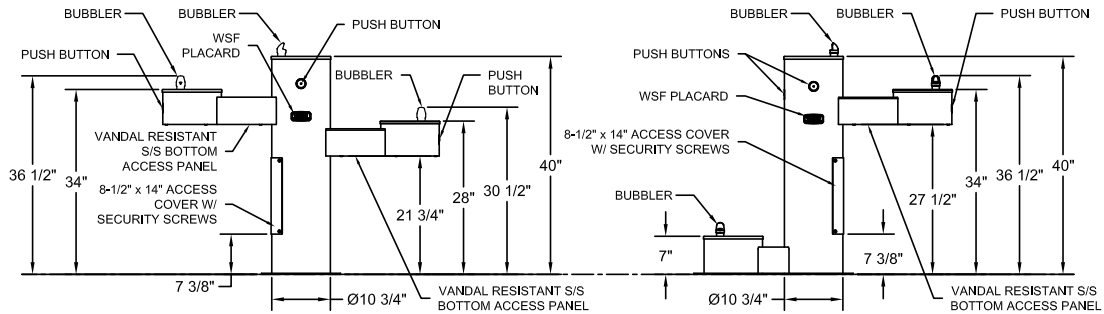
4.) Colors (select one):

- SL Silver
 G Green
 R Red
 BL Blue
 O Orange
 V Violet
 Y Yellow
 BR Brown
 BK Black
 BE Beige
 W White
 YG Yellow Green
 LBL Light Blue
 GT Graphite (Textured)
 MTW Matte White

Approved For Manufacturing By: _____ Date: _____ Company: _____

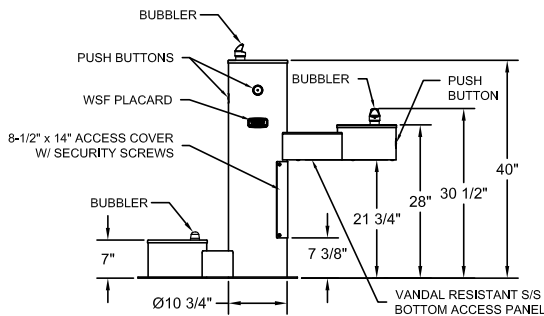
Wall Thickness: _____ Wall Type: _____

VERIFY ALL DIMENSIONS WITH FACTORY PRIOR TO ROUGH-IN
 WILLOUGHBY RESERVES THE RIGHT TO MAKE CHANGES IN DESIGN AND DIMENSIONS WITHOUT FORMAL NOTICE AND WITHOUT INCURRING OBLIGATION.

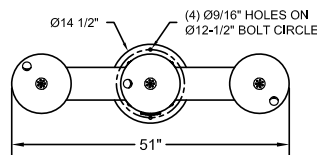


WODF-3-HC-CHD

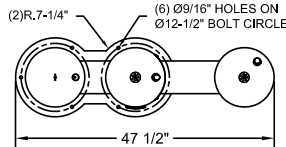
WODF-3-HC-PET



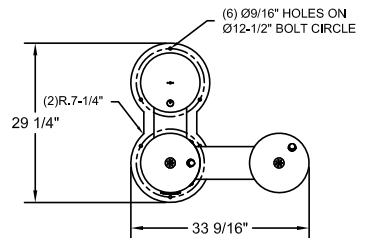
WODF-3-CHD-PET



WODF-3-HC-CHD



WODF-3-HC-PET & WODF-3-CHD-PET (SIDE PET LOCATION)



WODF-3-HC-PET & WODF-3-CHD-PET (REAR PET LOCATION)

visit our website at www.wiloughbystainlessfountains.com

5105 West 78th Street • Indianapolis, IN. 46268

(317) 875-0830 • Fax: (317) 875-0837 • (800) 428-4065

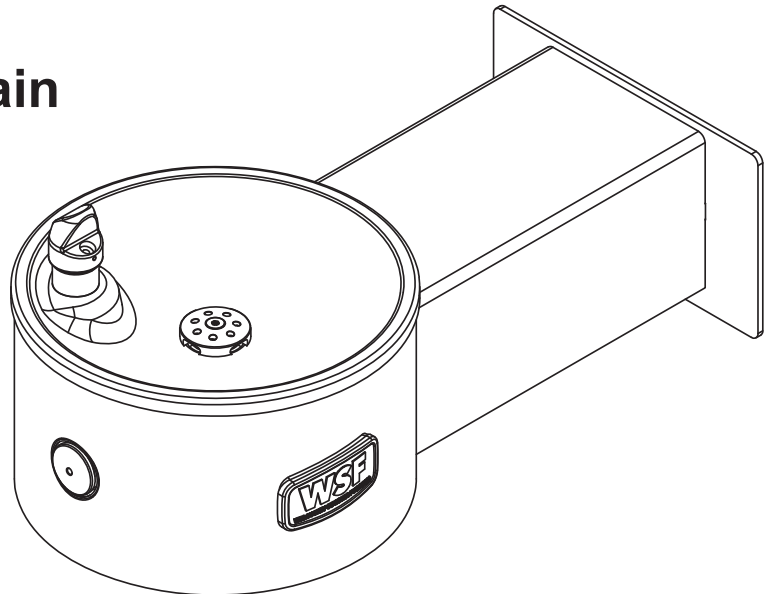


MADE IN THE U.S.A.

Willoughby Stainless Fountains



WODF-1WM Series Wall Mounted Outdoor Drinking Fountain



Recommended Specifications

Willoughby Model **WODF-1WM** wall mounted outdoor drinking fountain is a single-level, vandal resistant drinking fountain with Type 304 stainless steel 10" Schedule-10 main column and 7 GA. flange.

Fountain shall have high-polished, 18 GA. stainless steel bowl with anti-rotation, anti-squirt, solid stainless steel bubbler. Bubbler shall be activated by pedestal mounted solid stainless steel push button assembly, which controls a lead-free, self-closing valve.

Push button shall require less than 5 lbs. of force to operate. Push button shall be adjustable to ensure adequate flow without being wasteful. **WODF-1WM** fountain shall be lead-free, adhering to ANSI/NSF 61, Section 9, ANSIA117.1.

When the drinking fountain bowl is mounted at an appropriate height (34" max A.F.F. for Adult ADA, 31" max A.F.F. for JR. ADA), it shall meet American Disabilities Act of 2010 (ADA) compliance requirements.

Standard Features

- * Adult ADA or Child (JR.) ADA compliant
- * 5/32" wall thickness stainless steel wall column
- * Heavy duty Type 304 stainless steel 10" Schedule-10 main column and 7 GA. flange
- * Optional marine-grade Type 316 stainless steel body for installations near salt water
- * High polished stainless steel bowl
- * Solid stainless steel, anti-rotation bubbler
- * Serviceable mesh strainer on inlet water supply
- * Heavy-duty main access panel
- * Resistant to sunlight, heat and vandalism
- * Stainless steel adjustable push button
- * Powder coat finish (color options on page 2)

To specify fixture and color, use the Model Number and Options Guide.

Example: To specify a WODF-1WM wall mounted outdoor drinking fountain in Blue color
Use the following Willoughby Model Number: **WODF-1WM-BL**



WARNING: Cancer and Reproductive Harm

- www.P65Warnings.ca.gov

visit our website at www.willoughbystainlessfountains.com

5105 West 78th Street • Indianapolis, IN. 46268
(317) 875-0830 • Fax: (317) 875-0837 • (800) 428-4065



MADE IN THE U.S.A.

MODEL NUMBER AND OPTIONS:

1.) Outdoor Drinking Fountain Type:

- WODF-1WM Wall Mounted Outdoor Drinking Fountain

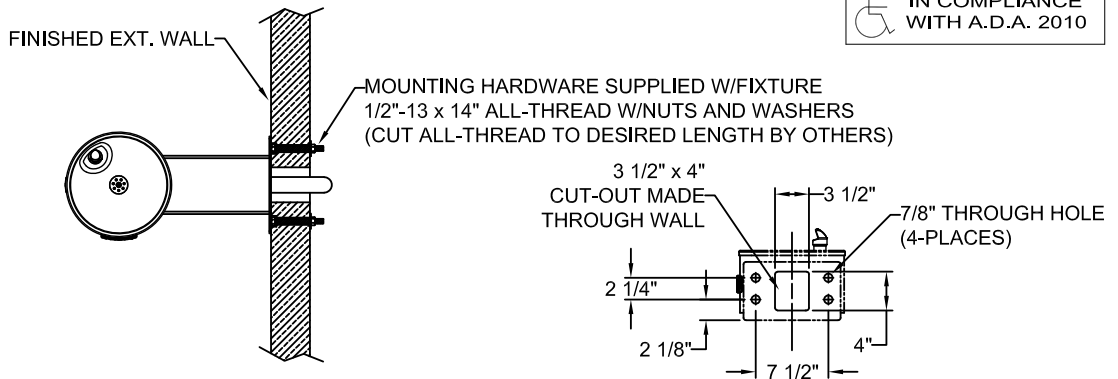
2.) Options:

- 316-1 316 Stainless Steel Body, Single
 SCV Seasonal Bowl Cover (1)

3.) Colors (select one):

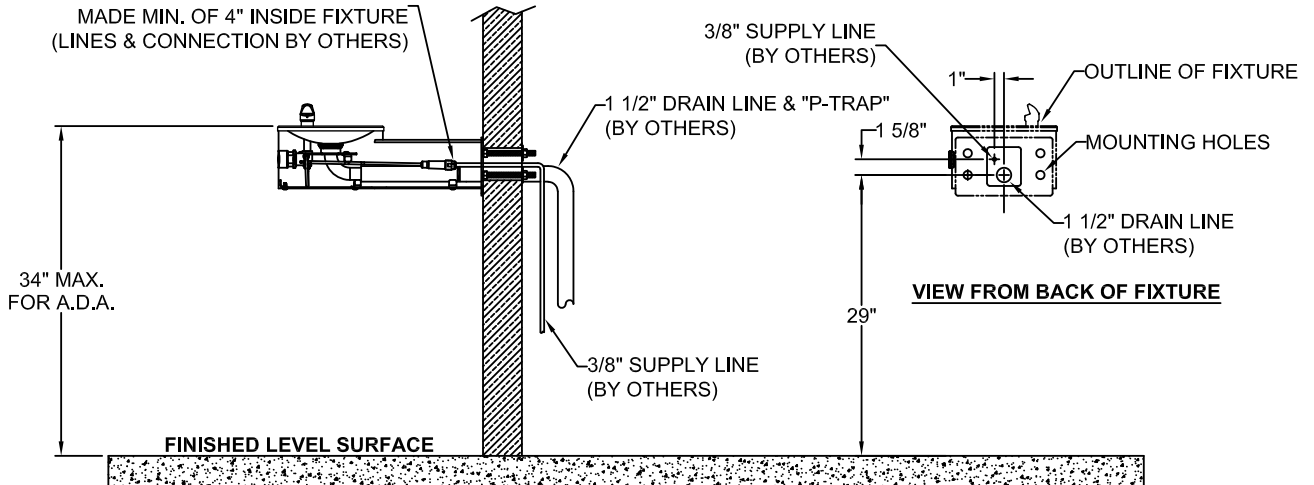
- SL Silver
 G Green
 R Red
 BL Blue
 O Orange
 V Violet
 Y Yellow
 BR Brown
 BK Black
 BE Beige
 W White
 YG Yellow Green
 LBL Light Blue
 GT Graphite (Textured)
 MTW Matte White

Approved For Manufacturing By: _____ Date: _____ Company: _____
 Wall Thickness: _____ Wall Type: _____



BOLT SPACING AND WALL CUT-OUT DETAILS

NOTE: 3/8" SUPPLY LINE CONNECTION & 1 1/2" DRAIN LINE CONNECTION MADE MIN. OF 4" INSIDE FIXTURE (LINES & CONNECTION BY OTHERS)



VIEW FROM BACK OF FIXTURE

VERIFY ALL DIMENSIONS WITH FACTORY PRIOR TO ROUGH-IN
 WILLOUGHBY RESERVES THE RIGHT TO MAKE CHANGES IN DESIGN AND DIMENSIONS WITHOUT FORMAL NOTICE AND WITHOUT INCURRING OBLIGATION.

visit our website at www.wiloughbystainlessfountains.com

5105 West 78th Street • Indianapolis, IN. 46268

(317) 875-0830 • Fax: (317) 875-0837 • (800) 428-4065

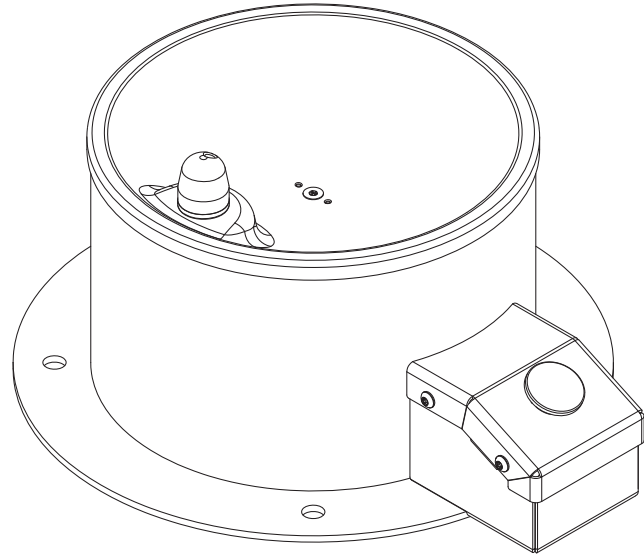


MADE IN THE U.S.A.

Willoughby Stainless Fountains



WOPF-1 Series Outdoor Pet Drinking Fountain



Recommended Specifications

Willoughby Model **WOPF-1** outdoor pet drinking fountain is a single-level, vandal resistant drinking fountain with Type 304 stainless steel 10" Schedule-10 main column and 7 GA. flange.

Fountain shall have high-polished, 18 GA. stainless steel bowl with anti-rotation, anti-squirt, solid stainless steel bubbler. Bubbler shall be activated by pedestal mounted solid stainless steel foot-operated push button assembly, which controls a lead-free, self-closing valve.

Push button shall require less than 5 lbs. of force to operate. Push button shall be adjustable to ensure adequate flow without being wasteful. **WOPF-1** fountain shall be lead-free, adhering to ANSI/NSF 61, Section 9, ANSI A117.1.

Optional mounting kit available for purchase consisting of stainless steel anchors, nuts, washers and rubber gasket washers. If optional kit is not used, stainless steel hardware recommended.

Standard Features

- * Heavy duty Type 304 stainless steel 10" Schedule-10 main column and 7 GA. flange
- * Optional marine-grade Type 316 stainless steel body for installations near salt water
- * High polished stainless steel bowl
- * Solid stainless steel, anti-rotation bubbler
- * Serviceable mesh strainer on inlet water supply
- * Resistant to sunlight, heat and vandalism
- * Stainless steel adjustable push button
- * Integral slow drain
- * Powder coat finish (color options on page 2)

To specify fixture and color, use the Model Number and Options Guide.

Example: To specify a WOPF-1 outdoor pet drinking fountain in Orange color

Use the following Willoughby Model Number: **WOPF-1-O**



WARNING: Cancer and Reproductive Harm

- www.P65Warnings.ca.gov

visit our website at www.willoughbystainlessfountains.com

5105 West 78th Street • Indianapolis, IN. 46268

(317) 875-0830 • Fax: (317) 875-0837 • (800) 428-4065



MADE IN THE U.S.A.

MODEL NUMBER AND OPTIONS:

1.) Outdoor Drinking Fountain Type:

WOPF-1 Outdoor Pet Drinking Fountain

2.) Options:

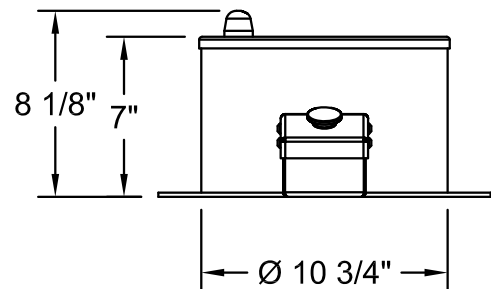
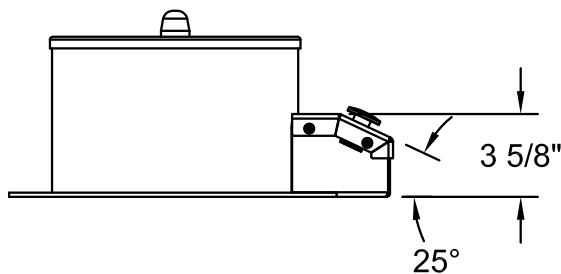
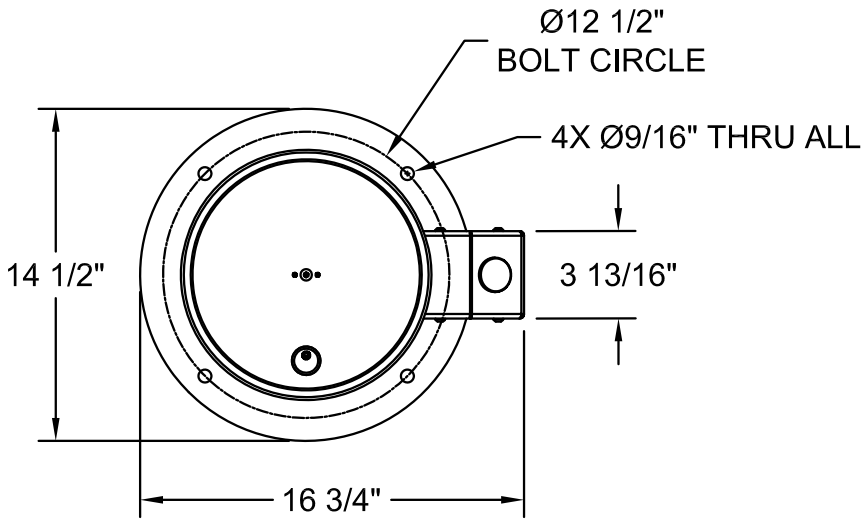
- 316-1 316 Stainless Steel Body, Single
- CAR-1 Surface Carrier, Single
(Including mounting hardware)
- SOV Shut Off Valve
- SCV Seasonal Bowl Cover (1)
- WSFMK4 4 Bolt Hole Mounting Kit
(Not req'd with Carrier option)

3.) Colors (select one):

- SL Silver
- G Green
- R Red
- BL Blue
- O Orange
- V Violet
- Y Yellow
- BR Brown
- BK Black
- BE Beige
- W White
- YG Yellow Green
- LBL Light Blue
- GT Graphite (Textured)
- MTW Matte White

Approved For Manufacturing By: _____ Date: _____ Company: _____
 Wall Thickness: _____ Wall Type: _____

VERIFY ALL DIMENSIONS WITH FACTORY PRIOR TO ROUGH-IN
 WILLOUGHBY RESERVES THE RIGHT TO MAKE CHANGES IN DESIGN AND DIMENSIONS WITHOUT FORMAL NOTICE AND WITHOUT INCURRING OBLIGATION.



visit our website at www.willoughbystainlessfountains.com

5105 West 78th Street • Indianapolis, IN. 46268
 (317) 875-0830 • Fax: (317) 875-0837 • (800) 428-4065

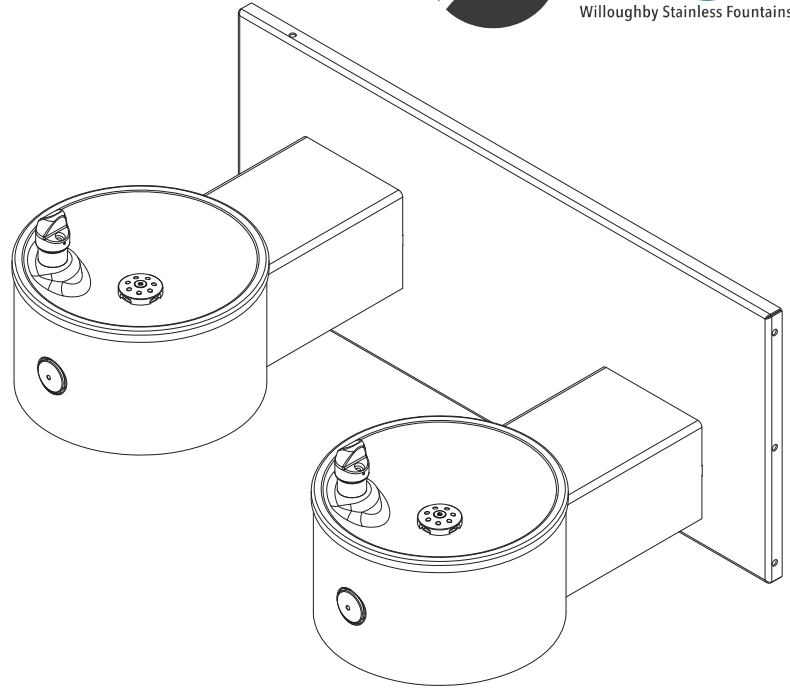


MADE IN THE U.S.A.

Willoughby Stainless Fountains



WODF-2WM Series Wall Mounted Two Station Outdoor Drinking Fountain



Recommended Specifications

Willoughby Model **WODF-2WM** wall mounted two station outdoor drinking fountain is a dual-level, vandal resistant drinking fountain with Type 304 stainless steel 10" Schedule-10 fountain bodies.

Fountains shall have high-polished, 18 GA. stainless steel bowls with anti-rotation, anti-squirt, solid stainless steel bubblers. Bubblers shall be activated by pedestal mounted solid stainless steel push button assemblies, which control lead-free, self-closing valves.

Push button shall require less than 5 lbs. of force to operate. Push button shall be adjustable to ensure adequate flow without being wasteful. **WODF-2WM** fountain shall be lead-free, adhering to ANSI/NSF 61, Section 9, ANSIA117.1.

When the fixture is correctly mounted, the respective drinking fountain bowls shall meet American Disabilities Act of 2010 (ADA) compliance requirements (34" max A.F.F. for Adult ADA, 31" max A.F.F. for JR. ADA).

Standard Features

- * Adult ADA and Child (JR.) ADA compliant
- * 5/32" wall thickness stainless steel wall columns
- * Heavy duty Type 304 stainless steel 10" Schedule-10 main columns
- * Optional marine-grade Type 316 stainless steel body for installations near salt water
- * High polished stainless steel bowls
- * Solid stainless steel, anti-rotation bubblers
- * Serviceable mesh strainer on inlet water supply
- * Heavy-duty wall mounting frame
- * Resistant to sunlight, heat, and vandalism
- * Stainless steel adjustable push buttons
- * Powder coat finish (color options on page 2)

To specify fixture and color, use the Model Number and Options Guide.

Example: To specify a WODF-2WM wall mounted two station outdoor drinking fountain in Beige color
Use the following Willoughby Model Number: **WODF-2WM-BE**



WARNING: Cancer and Reproductive Harm

- www.P65Warnings.ca.gov

visit our website at www.willoughbystainlessfountains.com

5105 West 78th Street • Indianapolis, IN. 46268
(317) 875-0830 • Fax: (317) 875-0837 • (800) 428-4065



MADE IN THE U.S.A.

MODEL NUMBER AND OPTIONS:

1.) Outdoor Drinking Fountain Type:

- WODF-2WM Wall Mounted Two Station Outdoor Drinking Fountain

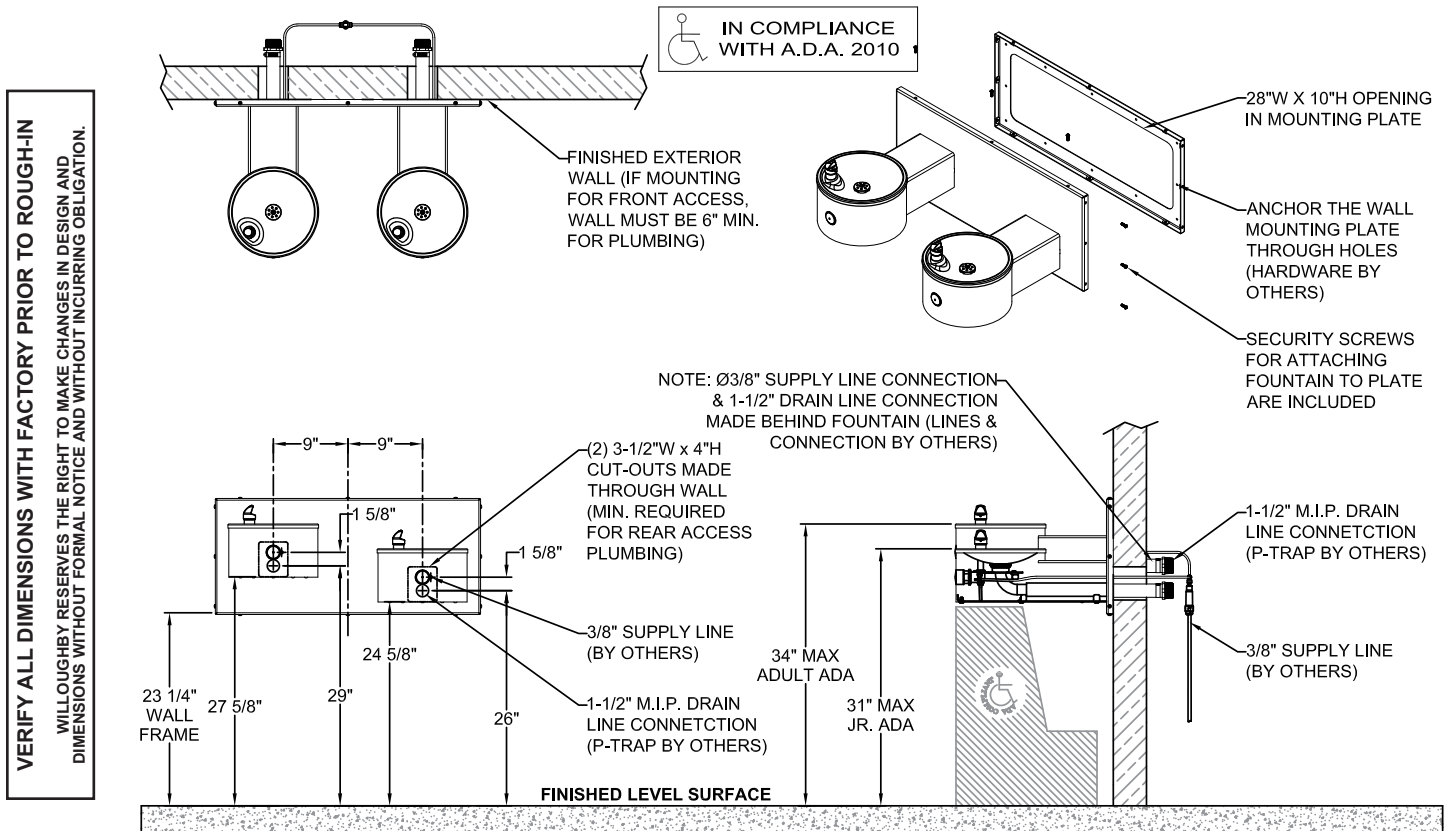
2.) Options:

- 316-2 316 Stainless Steel Body, Double
 SCV Seasonal Bowl Covers (2)

3.) Colors (select one):

- SL Silver
 G Green
 R Red
 BL Blue
 O Orange
 V Violet
 Y Yellow
 BR Brown
 BK Black
 BE Beige
 W White
 YG Yellow Green
 LBL Light Blue
 GT Graphite (Textured)
 MTW Matte White

Approved For Manufacturing By: _____ Date: _____ Company: _____
 Wall Thickness: _____ Wall Type: _____



visit our website at www.wiloughbystainlessfountains.com

5105 West 78th Street • Indianapolis, IN. 46268
 (317) 875-0830 • Fax: (317) 875-0837 • (800) 428-4065



MADE IN THE U.S.A.

Willoughby Stainless Fountains



WODF-1-HF-FO Series Outdoor Hands-Free Drinking Fountain

Recommended Specifications

Outdoor Hands-Free drinking fountain shall be Willoughby Model No. **WODF-1-HF-FO**

Willoughby Model **WODF-1-HF-FO** Hands-Free outdoor drinking fountain is a single-level, vandal resistant drinking fountain with Type 304 stainless steel 10" Schedule-10 main column and 7 GA. flange.

Fountain shall have a high-polished, 18 GA. stainless steel bowl with anti-rotation, anti-squirt, solid stainless steel bubbler. Bubbler shall be activated by a solid stainless steel foot operated push button assembly, which controls a lead-free, self-closing valve.

Push button shall require less than 5 lbs. of force to operate. Push button shall be adjustable to ensure adequate flow without being wasteful. **WODF-1-HF-FO** fountain shall be lead-free, adhering to ANSI/NSF 61, Section 9 requirements.

Optional mounting kit available for purchase consisting of stainless steel anchors, nuts, washers and rubber gasket washers. If optional kit is not used, stainless steel hardware recommended.

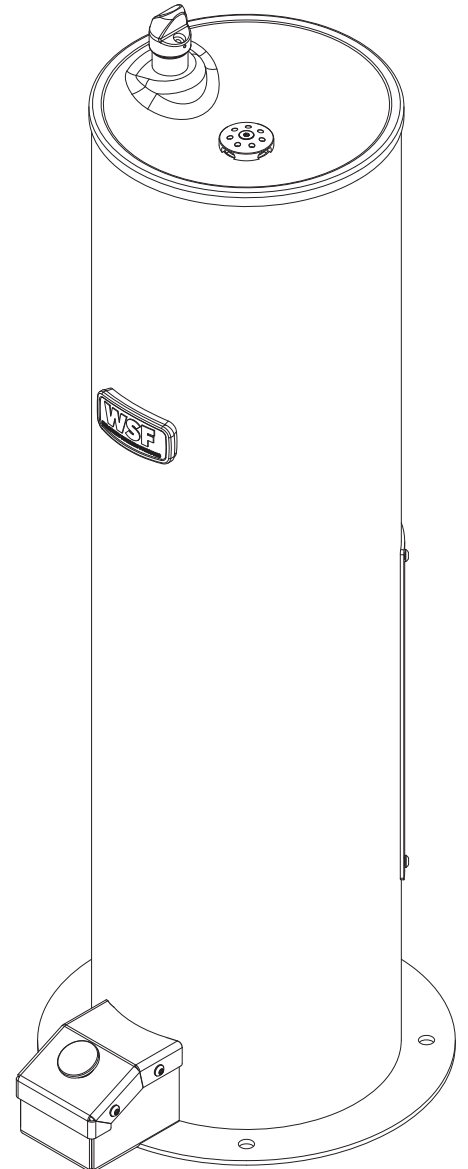
Standard Features

- * Heavy duty Type 304 stainless steel 10" Schedule-10 main column and 7 GA. flange
- * Optional marine-grade Type 316 stainless steel body for installations near salt water
- * High polished stainless steel bowl
- * Solid stainless steel, anti-rotation bubbler
- * Serviceable mesh strainer on inlet water supply
- * Heavy-duty main column access panel
- * Resistant to sunlight, heat and vandalism
- * Stainless steel foot operated push button
- * Powder coat finish (color options on page 2)

To specify fixture and color, use the Model Number and Options Guide.

Example: To specify a WODF-1-HF-FO outdoor drinking fountain in Silver color

Use the following Willoughby Model Number: **WODF-1-HF-FO-SL**



WARNING: Cancer and Reproductive Harm

- www.P65Warnings.ca.gov

visit our website at www.willoughbystainlessfountains.com

5105 West 78th Street • Indianapolis, IN. 46268

(317) 875-0830 • Fax: (317) 875-0837 • (800) 428-4065



MADE IN THE U.S.A.

MODEL NUMBER AND OPTIONS:

1.) Outdoor Drinking Fountain Type:

- WODF-1-HF-FO Outdoor Hands-Free Drinking Fountain with Foot Operated Pushbutton

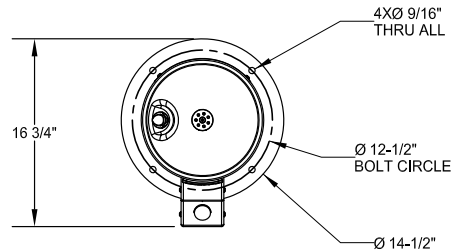
2.) Options:

- 316-1 316 Stainless Steel Body, Single
 CAR-1 Surface Carrier, Single (Including mounting hardware)
 SOV Shut Off Valve
 SCV Seasonal Bowl Cover (1)
 JF Jug Filler
 HBE Hose Bibb Exposed
 HBLD Recessed Hose Bibb w/ Lock Door
 HH Hose / Leash Hanger
 FW Foot Wash
 WSFMK4 4 Bolt Hole Mounting Kit (Not req'd with Carrier option)

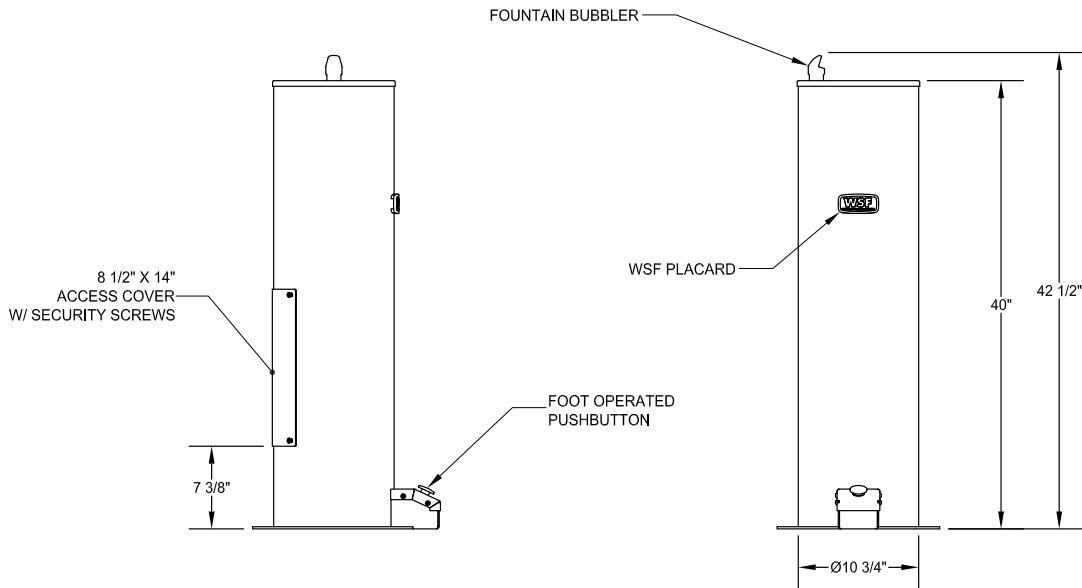
3.) Colors (select one):

- SL Silver
 G Green
 R Red
 BL Blue
 O Orange
 V Violet
 Y Yellow
 BR Brown
 BK Black
 BE Beige
 W White
 YG Yellow Green
 LBL Light Blue
 GT Graphite (Textured)
 MTW Matte White

Approved For Manufacturing By: _____ Date: _____ Company: _____
 Wall Thickness: _____ Wall Type: _____



VERIFY ALL DIMENSIONS WITH FACTORY PRIOR TO ROUGH-IN
 WILLOUGHBY RESERVES THE RIGHT TO MAKE CHANGES IN DESIGN AND DIMENSIONS WITHOUT FORMAL NOTICE AND WITHOUT INCURRING OBLIGATION.



visit our website at www.willoughbystainlessfountains.com

5105 West 78th Street • Indianapolis, IN. 46268
 (317) 875-0830 • Fax: (317) 875-0837 • (800) 428-4065



MADE IN THE U.S.A.

OUTDOOR BOTTLE FILLERS

(Page Intentionally Left Blank)

Willoughby Stainless Fountains



CWBF-1-RPB Series Outdoor Bottle Filler

Recommended Specifications

Outdoor bottle filler shall be Willoughby Model No. **CWBF-1-RPB**

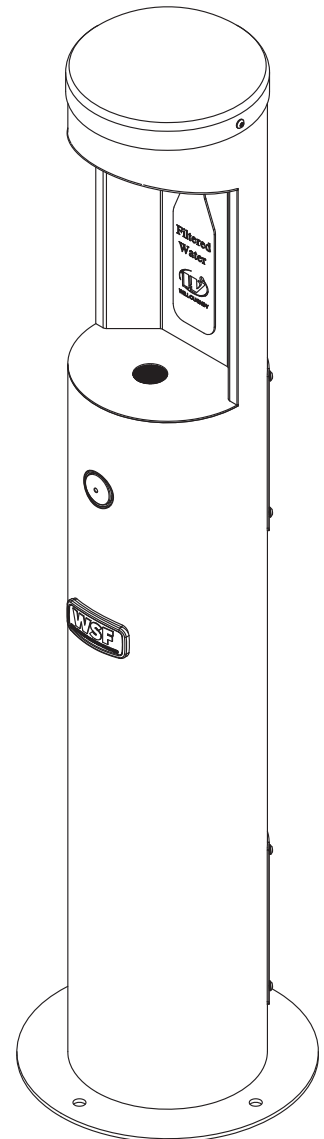
Model **CWBF-1-RPB** outdoor bottle filler shall be a single-level, vandal resistant drinking fountain with 304 stainless steel 8" Sched. 10 main column and 11 Ga. flange.

Filler spout shall be activated by a recessed mounted solid stainless steel pushbutton assembly which controls a lead-free, self-closing valve. Pushbutton operation shall require less than 5 lbs. of force.

Model **CWBF-1-RPB** bottle filler shall be lead-free and in compliance with ANSI/NSF 61, Section 9 requirements.

Optional 316 stainless steel body (main column, flange, and cap) are available for applications in which the unit's exterior may come into contact with salt water.

Optional mounting kit available for purchase consisting of stainless steel anchors, nuts, washers and rubber gasket washers. If optional kit is not used, stainless steel hardware recommended.



Standard Features

- * Simple, vandal-resistant push button
- * Quick, 1-gallon-per-minute fill rate
- * One-piece fully-welded construction
- * Standard heavy duty type 304 stainless steel 8" Sched. 10 main column and 11 Ga. flange
- * Optional marine-grade type 316 stainless steel body for installations near salt water
- * Solid stainless steel vandal resistant anti-rotation filler spout
- * Replaceable in-line charcoal filter on inlet water supply
- * Heavy-duty main column access panels
- * Promotes use of environmentally friendly refillable bottles, reducing use of disposable bottles
- * Compliant to ADA reach height guidelines
- * Powder coat finish (color options on page 2)

To specify fixture and options, use the Model Number and Options page.

Example: To specify a CWBF-1 outdoor bottle filler with recessed pushbutton, and 316 stainless steel body/cap/flange in Green color,

Use the following Willoughby Model Number: CWBF-1-RPB-316-1 -G



WARNING: Cancer and Reproductive Harm

- www.P65Warnings.ca.gov



MADE IN THE U.S.A.

visit our website at www.willoughbystainlessfountains.com

5105 West 78th Street • Indianapolis, IN. 46268

(317) 875-0830 • Fax: (317) 875-0837 • (800) 428-4065

MODEL NUMBER AND OPTIONS:

1.) Outdoor Bottle Filler Type:

- CWBF-1-RPB Outdoor Bottle Filler with Recessed Pushbutton

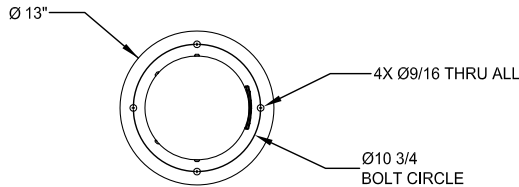
2.) Options:

- 316-1 316 Stainless Steel Body, Single
- CAR-1 Surface Carrier, Single (Including mounting hardware)
- JF Jug Filler
- HBE Hose Bibb Exposed
- HBLD Recessed Hose Bibb W/Lock Door
- HH Hose / Leash Hanger
- FW Foot Wash
- SOV Shut Off Valve
- WSFMK4 4 Bolt Hole Mounting Kit (Not req'd with Carrier option)

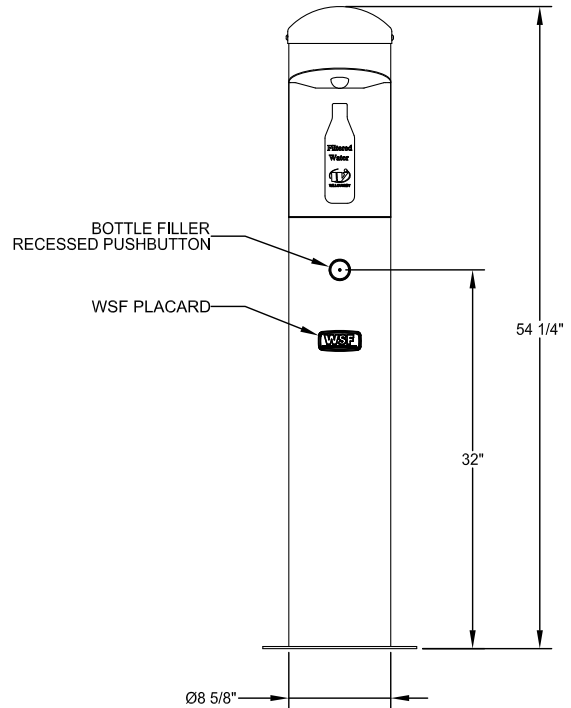
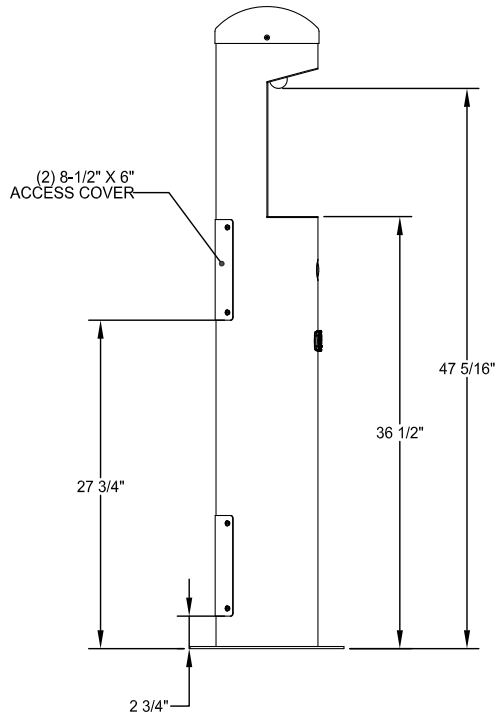
3.) Colors (select one):

- SL Silver
- G Green
- R Red
- BL Blue
- O Orange
- V Violet
- Y Yellow
- BR Brown
- BK Black
- BE Beige
- W White
- YG Yellow Green
- LBL Light Blue
- GT Graphite (Textured)
- MTW Matte White

Approved For Manufacturing By: _____ Date: _____ Company: _____
 Wall Thickness: _____ Wall Type: _____



VERIFY ALL DIMENSIONS WITH FACTORY PRIOR TO ROUGH-IN
 WILLOUGHBY RESERVES THE RIGHT TO MAKE CHANGES IN DESIGN AND DIMENSIONS WITHOUT FORMAL NOTICE AND WITHOUT INCURRING OBLIGATION.



visit our website at www.willoughbystainlessfountains.com

5105 West 78th Street • Indianapolis, IN. 46268
 (317) 875-0830 • Fax: (317) 875-0837 • (800) 428-4065



MADE IN THE U.S.A.

Willoughby Stainless Fountains



CWBF-2 Series Outdoor Bottle Filler w/Drinking Fountain

To specify fixture and options, use the Model Number and Options page.

Example: To specify a CWBF-2 outdoor bottle filler with drinking fountain with recessed pushbutton, child drinking fountain bowl height, and 316 stainless steel body/cap/flange in Blue color,

Use the following Willoughby Model Number: CWBF-2-RPB-CHD-316-BL

Standard Features

- * Adult and Child A.D.A. compliant
- * Compliant to ADA reach height guidelines
- * Quick, 1-gallon-per-minute bottle fill rate
- * One-piece fully-welded construction
- * Standard heavy duty type 304 stainless steel 8" Sched. 10 main column and 11 Ga. flange
- * Optional marine-grade type 316 stainless steel body for installations near salt water
- * Solid stainless steel vandal resistant anti-rotation bottle filler spout
- * Solid stainless steel anti-rotation drinking fountain bubbler
- * High polished stainless steel bowl
- * Replaceable in-line charcoal filter on inlet water supply
- * Heavy-duty main column access panels
- * Resistant to sunlight, heat, and vandalism
- * Promotes use of environmentally friendly refillable bottles, reducing use of disposable bottles
- * Powder coat finish (color options on page 2)

Recommended Specifications

Outdoor bottle filler with drinking fountain shall be Willoughby Model No. **CWBF-2-___** (see Model Number and Options guide for actuator selection).

Model **CWBF-2** outdoor bottle filler with drinking fountain shall be a dual-level, vandal resistant drinking fountain with 304 stainless steel 8" Sched. 10 main column and 11 Ga. flange.

Bottle filler spout and fountain bubbler shall be activated by separate recessed mounted solid stainless steel pushbutton assemblies (optional battery operated infrared activation available for bottle filler spout).

Drinking fountain shall have high-polished, 18 gauge stainless steel bowl with anti-rotation, anti-squirt, solid stainless steel bubblers.

All pushbuttons control lead-free, self-closing valves. Pushbutton operation shall require less than 5 lbs. of force.

Flow controls are used to ensure adequate flow without being wasteful. Bottle filler flows 1.0 GPM, drinking fountain flows 0.5 GPM.

Model **CWBF-2** fountain shall be lead-free, adhering to ANSI/NSF 61, Section 9, ANSI A117.1 and American Disabilities Act of 2010 requirements.

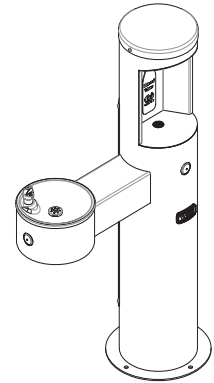
Optional 316 stainless steel body (main column, flange, and cap) are available for applications in which the unit's exterior may come into contact with salt water.

Optional mounting kit available for purchase consisting of stainless steel anchors, nuts, washers and rubber gasket washers. If optional kit is not used, stainless steel hardware recommended.

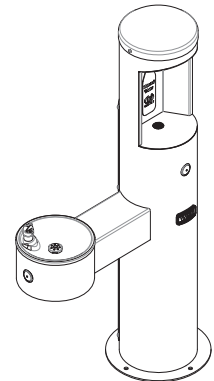


WARNING: Cancer and Reproductive Harm

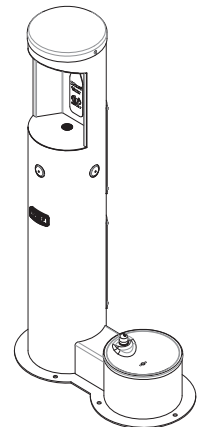
- www.P65Warnings.ca.gov



CWBF-2-RPB-HC



CWBF-2-RPB-CHD



CWBF-2-RPB-PET

visit our website at www.willoughbystainlessfountains.com

5105 West 78th Street • Indianapolis, IN. 46268
(317) 875-0830 • Fax: (317) 875-0837 • (800) 428-4065



MADE IN THE U.S.A.

WSF2-3

MODEL NUMBER AND OPTIONS:

1.) Outdoor Bottle Filler Type:

- CWBF-2 1 Outdoor Bottle Filler, and 1 Drinking Fountain Bowl

[Options CONTINUED:]

- FW Foot Wash
 SOV Shut Off Valve
 SCV Seasonal Bowl Cover (1)
 WFSMK44 Bolt Hole Mounting Kit (Not req'd with Carrier option)
 WFSMK66 Bolt Hole Mounting Kit (Not req'd with Carrier option)

2.) Bottle Filler Actuator Options (select one):

- RPB Recessed Push Button
 BO Battery Operated Infrared Sensor

3.) Drinking Fountain Bowl Height (select one):

- HC Adult A.D.A.
 CHD Child
 PET Pet

5.) Colors (select one):

- SL Silver
 G Green
 R Red
 BL Blue
 O Orange
 V Violet
 Y Yellow
 BR Brown
 BK Black
 BE Beige
 W White
 YG Yellow Green
 LBL Light Blue
 GT Graphite (Textured)
 MTW Matte White

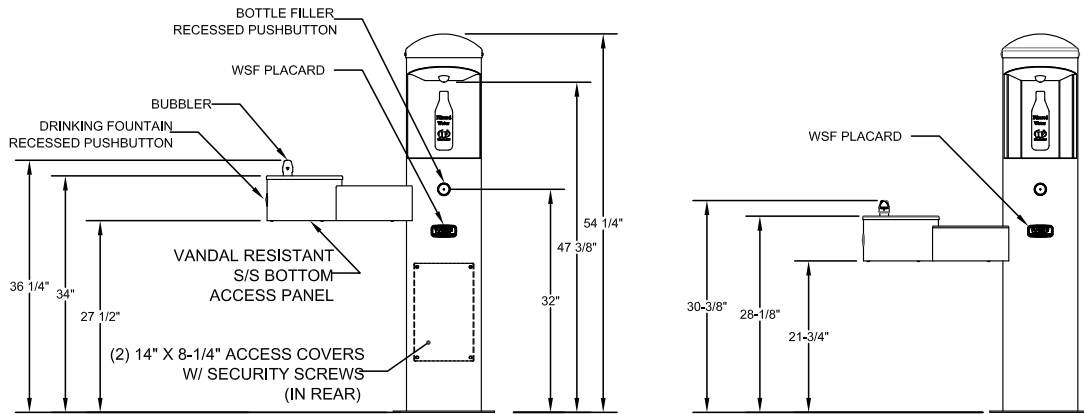
4.) Options:

- 316-2 316 Stainless Steel Body, Double
 CAR-1 Surface Carrier, Single (Including mounting hardware)
 CAR-2 Surface Carrier, Double (Including mounting hardware)
 JF Jug Filler
 HBE Hose Bibb Exposed
 HBLD Recessed Hose Bibb W/Lock Door
 HH Hose / Leash Hanger

[CONTINUED IN NEXT COLUMN:]

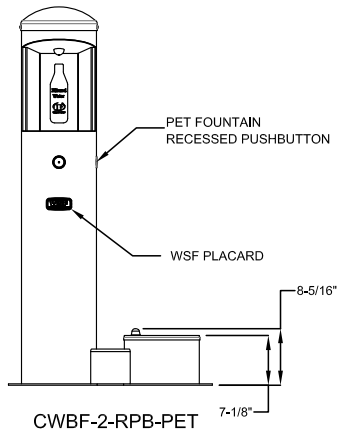
Approved For Manufacturing By: _____ Date: _____ Company: _____
 Wall Thickness: _____ Wall Type: _____

VERIFY ALL DIMENSIONS WITH FACTORY PRIOR TO ROUGH-IN
 WILLOUGHBY RESERVES THE RIGHT TO MAKE CHANGES IN DESIGN AND DIMENSIONS WITHOUT FORMAL NOTICE AND WITHOUT INCURRING OBLIGATION.

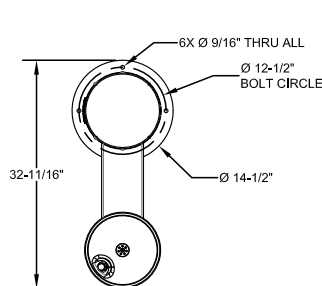


CWBF-2-RPB-HC

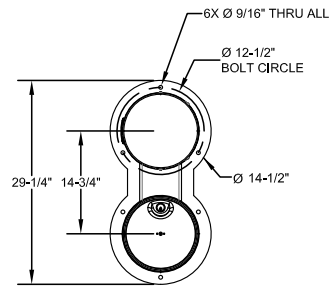
CWBF-2-RPB-CHD



CWBF-2-RPB-PET



ROUGH-IN HC AND CHD



ROUGH-IN PET

visit our website at www.wiloughbystainlessfountains.com

5105 West 78th Street • Indianapolis, IN. 46268

(317) 875-0830 • Fax: (317) 875-0837 • (800) 428-4065



MADE IN THE U.S.A.

Willoughby Stainless Fountains



CWBF-3 Series Outdoor Bottle Filler w/Drinking Fountain

To specify fixture and options, use the Model Number and Options page.

Example: To specify a CWBF-3 outdoor bottle filler with drinking fountain with recessed pushbutton, child drinking fountain bowl height, pet drinking fountain, and 316 stainless steel body/cap/flange in Blue color,

Use the following Willoughby Model Number: CWBF-3-RPB-CHD-PET-316-BL

Standard Features

- * Adult and Child A.D.A. compliant
- * Compliant to ADA reach height guidelines
- * Quick, 1-gallon-per-minute bottle fill rate
- * One-piece fully-welded construction
- * Standard heavy duty type 304 stainless steel 8" Sched. 10 main column and 11 Ga. flange
- * Optional marine-grade type 316 stainless steel body for installations near salt water
- * Solid stainless steel vandal resistant anti-rotation bottle filler spout
- * Solid stainless steel anti-rotation drinking fountain bubbler
- * High polished stainless steel bowl
- * Replaceable in-line charcoal filter on inlet water supply
- * Heavy-duty main column access panels
- * Resistant to sunlight, heat, and vandalism
- * Promotes use of environmentally friendly refillable bottles, reducing use of disposable bottles
- * Powder coat finish (color options on page 2)

Recommended Specifications

Outdoor bottle filler with drinking fountain shall be Willoughby Model No. **CWBF-3-___** (see Model Number and Options guide for actuator selection).

Model **CWBF-3** outdoor bottle filler with drinking fountain shall be a triple-level, vandal resistant drinking fountain with 304 stainless steel 8" Sched. 10 main column and 11 Ga. flange.

Bottle filler spout and fountain bubbler shall be activated by separate recessed mounted solid stainless steel pushbutton assemblies (optional battery operated infrared activation available for bottle filler spout).

Drinking fountain shall have high-polished, 18 gauge stainless steel bowl with anti-rotation, anti-squirt, solid stainless steel bubblers.

All pushbuttons control lead-free, self-closing valves. Pushbutton operation shall require less than 5 lbs. of force.

Flow controls are used to ensure adequate flow without being wasteful. Bottle filler flows 1.0 GPM, drinking fountain flows 0.5 GPM.

Model **CWBF-3** fountain shall be lead-free, adhering to ANSI/NSF 61, Section 9, ANSI A117.1 and American Disabilities Act of 2010 requirements.

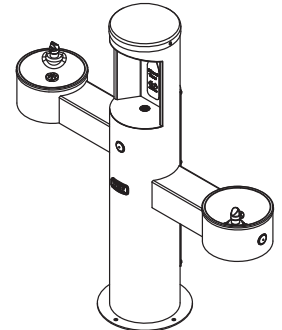
Optional 316 stainless steel body (main column, flange, and cap) are available for applications in which the unit's exterior may come into contact with salt water.

Optional mounting kit available for purchase consisting of stainless steel anchors, nuts, washers and rubber gasket washers. If optional kit is not used, stainless steel hardware recommended.

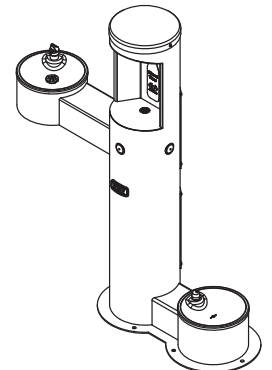


WARNING: Cancer and Reproductive Harm

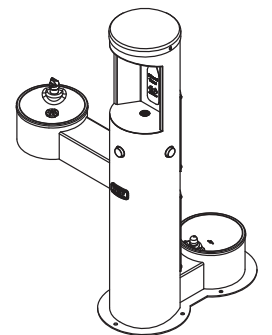
- www.P65Warnings.ca.gov



CWBF-3-HC-CHD



CWBF-3-HC-PET
(SIDE PET LOCATION)



CWBF-3-CHD-PET
(REAR PET LOCATION)

visit our website at www.willoughbystainlessfountains.com

5105 West 78th Street • Indianapolis, IN. 46268
(317) 875-0830 • Fax: (317) 875-0837 • (800) 428-4065



MADE IN THE U.S.A.

MODEL NUMBER AND OPTIONS:

1.) Outdoor Bottle Filler Type:

- CWBF-3 1 Outdoor Bottle Filler, and 2 Drinking Fountain Bowls

[Options CONTINUED:]

- FW Foot Wash
 SOV Shut Off Valve
 SCV Seasonal Bowl Covers (2)
 WFSMK44 Bolt Hole Mounting Kit (Not req'd with Carrier option)
 WFSMK66 Bolt Hole Mounting Kit (Not req'd with Carrier option)

2.) Bottle Filler Actuator Options (select one):

- RPB Recessed Push Button
 BO Battery Operated Infrared Sensor

3.) Drinking Fountain Bowl Height (select two):

- HC Adult A.D.A.
 CHD Child
 PET Pet Bowl
 Side Rear

5.) Colors (select one):

- SL Silver
 G Green
 R Red
 BL Blue
 O Orange
 V Violet
 Y Yellow
 BR Brown
 BK Black
 BE Beige
 W White
 YG Yellow Green
 LBL Light Blue
 GT Graphite (Textured)
 MTW Matte White

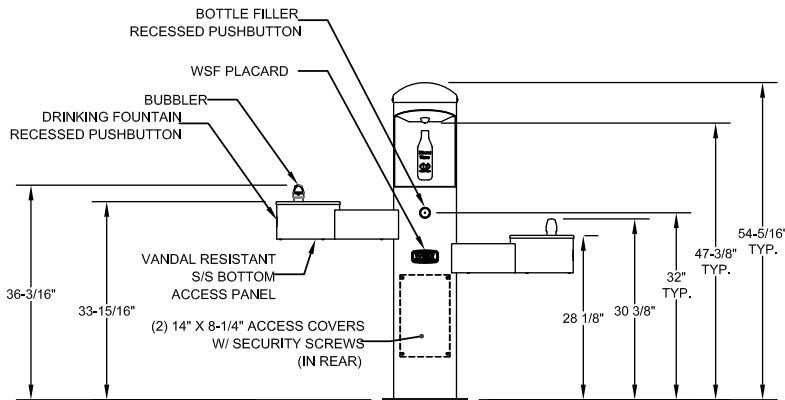
4.) Options:

- 316-3 316 Stainless Steel Body, Triple
 CAR-1 Surface Carrier, Single (Including mounting hardware)
 CAR-2 Surface Carrier, Double (Including mounting hardware)
 JF Jug Filler
 HBE Hose Bibb Exposed
 HBLD Recessed Hose Bibb W/Lock Door
 HH Hose / Leash Hanger

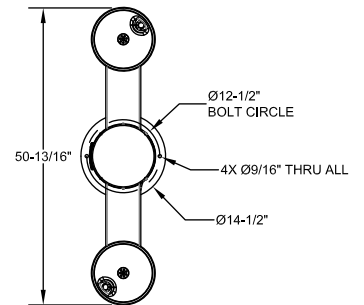
[CONTINUED IN NEXT COLUMN:]

Approved For Manufacturing By: _____ Date: _____ Company: _____
 Wall Thickness: _____ Wall Type: _____

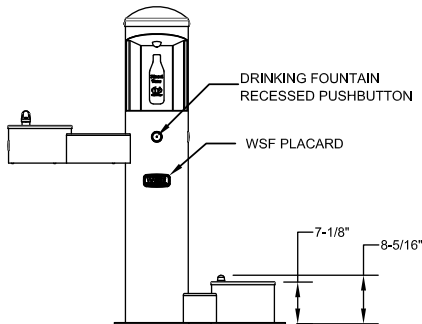
VERIFY ALL DIMENSIONS WITH FACTORY PRIOR TO ROUGH-IN
 WILLOUGHBY RESERVES THE RIGHT TO MAKE CHANGES IN DESIGN AND DIMENSIONS WITHOUT FORMAL NOTICE AND WITHOUT INCURRING OBLIGATION.



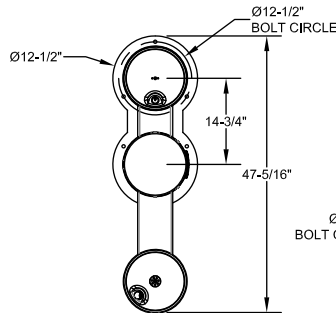
CWBF-3-RPB-HC-CHD



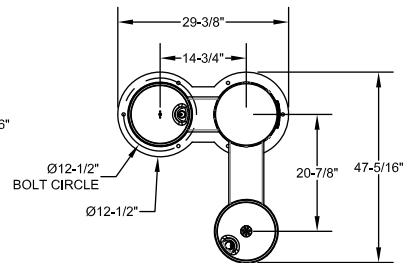
ROUGH-IN HC AND CHD



CWBF-3-RPB-HC-PET



SIDE PET ROUGH-IN



REAR PET ROUGH-IN

visit our website at www.wiloughbystainlessfountains.com

5105 West 78th Street • Indianapolis, IN. 46268

(317) 875-0830 • Fax: (317) 875-0837 • (800) 428-4065



MADE IN THE U.S.A.

Willoughby Stainless Fountains



CWBF-1WM Series Wall Mounted Outdoor Bottle Filler

To specify fixture and options, use the Model Number and Options page.

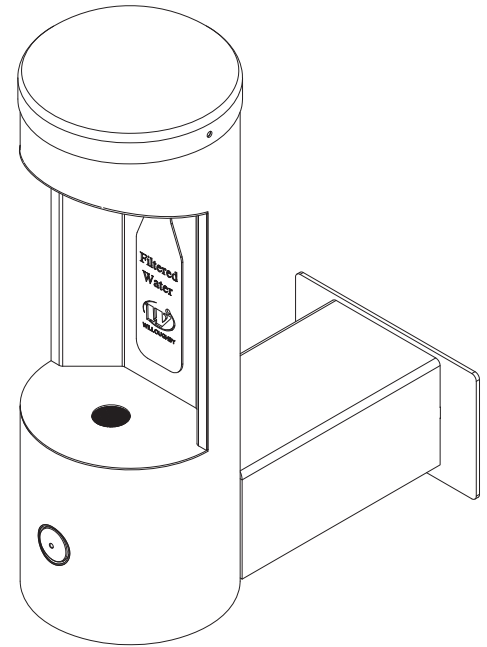
Example: To specify a CWBF-1WM outdoor bottle filler with recessed pushbutton, and 316 stainless steel body/cap/flange in Green color

Use the following Willoughby Model Number: CWBF-1WM-RPB-316 -G

Standard Features

- * Simple, vandal-resistant pushbutton or optional infrared operation
- * Quick, 1-gallon-per-minute fill rate
- * One-piece fully-welded construction
- * Standard heavy duty type 304 stainless steel 8" Sched. 10 main column and 11 Ga. flange
- * Optional marine-grade type 316 stainless steel body for installations near salt water
- * Solid stainless steel vandal resistant anti-rotation filler spout
- * Replaceable in-line charcoal filter on inlet water supply
- * Promotes use of environmentally friendly refillable bottles, reducing use of disposable bottles
- * Compliant to ADA reach height guidelines
- * Powder coat finish (color options on page 2)

Recommended Specifications



Wall mounted outdoor bottle filler shall be Willoughby Model No. **CWBF-1WM** ____
(see Model Number and Options guide for actuator selection).

Model **CWBF-1WM** outdoor bottle filler shall be a single-level, vandal resistant drinking fountain with 304 stainless steel 8" Sched. 10 main column and 11 Ga. flange.

Filler spout shall be activated by a recessed mounted solid stainless steel pushbutton assembly which controls a lead-free, self-closing valve (optional hardwire- or battery operated- infrared activation available). Pushbutton operation shall require less than 5 lbs. of force.

Model **CWBF-1WM** bottle filler shall be lead-free and in compliance with ANSI/NSF 61, Section 9 requirements.

Optional 316 stainless steel body (main column, flange, and cap) are available for applications in which the unit's exterior may come into contact with salt water.



WARNING: Cancer and Reproductive Harm

- www.P65Warnings.ca.gov

visit our website at www.willoughbystainlessfountains.com

5105 West 78th Street • Indianapolis, IN. 46268
(317) 875-0830 • Fax: (317) 875-0837 • (800) 428-4065



MADE IN THE U.S.A.

MODEL NUMBER AND OPTIONS:

1.) Outdoor Bottle Filler Type:

CWBF-1WM Outdoor Wall Mounted Single Bottle Filler

2.) Actuator options (select one):

RPB Recessed Push Button
 BO Battery Operated Infrared Sensor

3.) Options:

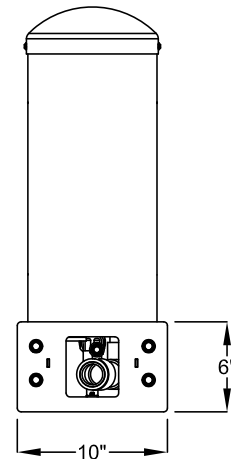
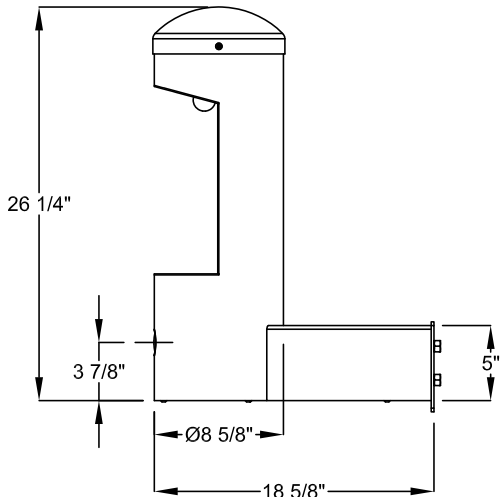
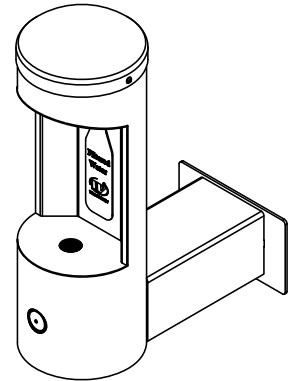
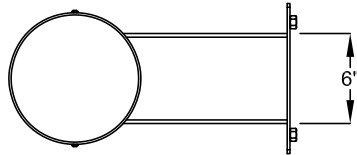
316-1 316 Stainless Steel Body, Single
 SOV Shut Off Valve

4.) Colors (select one):

SL Silver
 G Green
 R Red
 BL Blue
 O Orange
 V Violet
 Y Yellow
 BR Brown
 BK Black
 BE Beige
 W White
 YG Yellow Green
 LBL Light Blue
 GT Graphite (Textured)
 MTW Matte White

Approved For Manufacturing By: _____ Date: _____ Company: _____
 Wall Thickness: _____ Wall Type: _____

VERIFY ALL DIMENSIONS WITH FACTORY PRIOR TO ROUGH-IN
 WILLOUGHBY RESERVES THE RIGHT TO MAKE CHANGES IN DESIGN AND DIMENSIONS WITHOUT FORMAL NOTICE AND WITHOUT INCURRING OBLIGATION.



visit our website at www.willoughbystainlessfountains.com

5105 West 78th Street • Indianapolis, IN. 46268
 (317) 875-0830 • Fax: (317) 875-0837 • (800) 428-4065



MADE IN THE U.S.A.

Willoughby Stainless Fountains



CWBF-2WM Series Outdoor Wall Mounted Bottle Filler w/Drinking Fountain

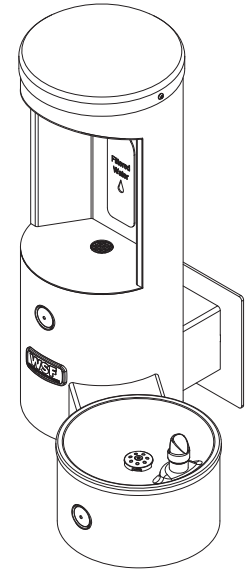
To specify fixture and options, use the Model Number and Options page.

Example: To specify a CWBF-2WM outdoor bottle filler with drinking fountain with recessed pushbutton, and 316 stainless steel body/cap/flange in Blue color

Use the following Willoughby Model Number: CWBF-2WM-RPB-316-2-BL

Standard Features

- * Simple, vandal-resistant pushbutton or optional infrared operation
- * Quick, 1-gallon-per-minute fill rate
- * One-piece fully-welded construction
- * Standard heavy duty type 304 stainless steel 10" Sched. 10 main column and 7 Ga. flange
- * Optional marine-grade type 316 stainless steel body for installations near salt water
- * Solid stainless steel vandal resistant anti-rotation filler spout
- * Solid stainless steel anti-rotation drinking fountain bubbler
- * High polished stainless steel bowl
- * Replaceable in-line charcoal filter on inlet water supply
- * Promotes use of environmentally friendly refillable bottles, reducing use of disposable bottles
- * Compliant to ADA reach height guidelines
- * Powder coat finish (color options on page 2)



Recommended Specifications

Wall mounted outdoor bottle filler shall be Willoughby Model No. CWBF-2WM ____ (see Model Number and Options guide for actuator selection).

Model CWBF-2WM outdoor bottle filler shall be a single-level, vandal resistant drinking fountain with 304 stainless steel 10" Sched. 10 main column and 7 Ga. flange.

Filler spout shall be activated by a recessed mounted solid stainless steel pushbutton assembly which controls a lead-free, self-closing valve (optional hardwire- or battery operated- infrared activation available). Pushbutton operation shall require less than 5 lbs. of force.

Model CWBF-2WM bottle filler shall be lead-free and in compliance with ANSI/NSF 61, Section 9 requirements.

Optional 316 stainless steel body (main column, flange, and cap) are available for applications in which the unit's exterior may come into contact with salt water.



WARNING: Cancer and Reproductive Harm

- www.P65Warnings.ca.gov

visit our website at www.willoughbystainlessfountains.com

5105 West 78th Street • Indianapolis, IN. 46268
(317) 875-0830 • Fax: (317) 875-0837 • (800) 428-4065



MADE IN THE U.S.A.

MODEL NUMBER AND OPTIONS:

1.) Outdoor Bottle Filler Type:

- CWBF-2WM 1 Outdoor Bottle Filler, and 1 Drinking Fountain Bowl

2.) Bottle Filler Actuator Options (select one):

- RPB Recessed Push Button
 BO Battery Operated Infrared Sensor

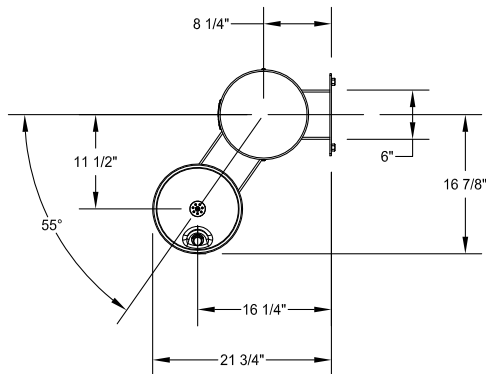
3.) Options:

- 316-2 316 Stainless Steel Body, Double
 SOV Shut Off Valve
 SCV Seasonal Bowl Cover (1)

4.) Colors (select one):

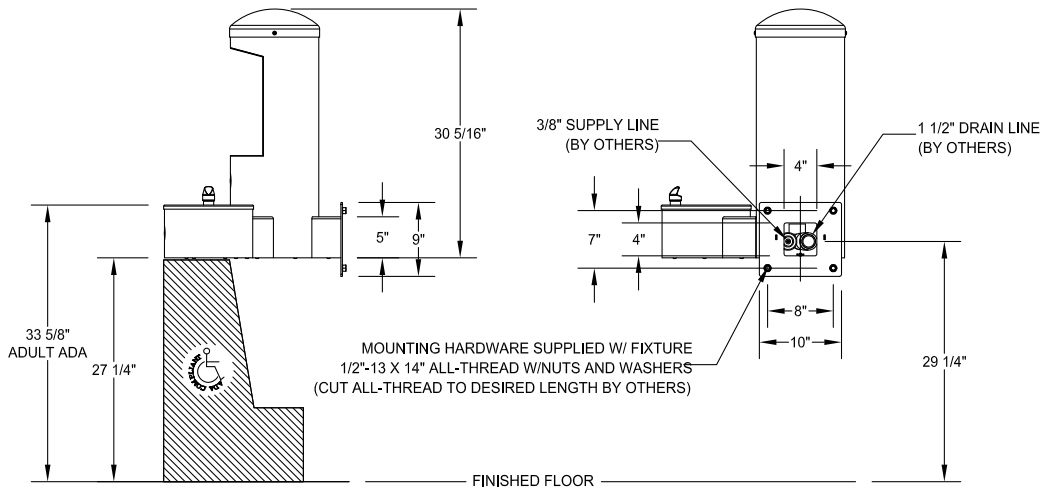
- SL Silver
 G Green
 R Red
 BL Blue
 O Orange
 V Violet
 Y Yellow
 BR Brown
 BK Black
 BE Beige
 W White
 YG Yellow Green
 LBL Light Blue
 GT Graphite (Textured)
 MTW Matte White

Approved For Manufacturing By: _____ Date: _____ Company: _____
 Wall Thickness: _____ Wall Type: _____



 IN COMPLIANCE WITH A.D.A. 2010

VERIFY ALL DIMENSIONS WITH FACTORY PRIOR TO ROUGH-IN
 WILLOUGHBY RESERVES THE RIGHT TO MAKE CHANGES IN DESIGN AND DIMENSIONS WITHOUT FORMAL NOTICE AND WITHOUT INCURRING OBLIGATION.



visit our website at www.willoughbystainlessfountains.com

5105 West 78th Street • Indianapolis, IN. 46268
 (317) 875-0830 • Fax: (317) 875-0837 • (800) 428-4065



MADE IN THE U.S.A.

Willoughby Stainless Fountains



CWBF-3WM Series Outdoor Wall Mounted Bottle Filler w/Drinking Fountain

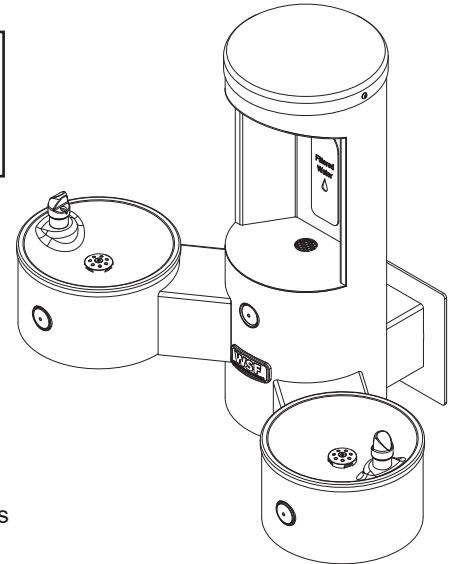
To specify fixture and options, use the Model Number and Options page.

Example: To specify a CWBF-3WM outdoor bottle filler with drinking fountain with recessed pushbutton, and 316 stainless steel body/cap/flange in Blue color

Use the following Willoughby Model Number: CWBF-3WM-RPB-316-3-BL

Standard Features

- * Simple, vandal-resistant pushbutton or optional infrared operation
- * Quick, 1-gallon-per-minute fill rate
- * One-piece fully-welded construction
- * Standard heavy duty type 304 stainless steel 10" Sched. 10 main column and 7 Ga. flange
- * Optional marine-grade type 316 stainless steel body for installations near salt water
- * Solid stainless steel vandal resistant anti-rotation filler spout
- * Solid stainless steel anti-rotation drinking fountain bubbler
- * High polished stainless steel bowl
- * Replaceable in-line charcoal filter on inlet water supply
- * Promotes use of environmentally friendly refillable bottles, reducing use of disposable bottles
- * Compliant to ADA reach height guidelines
- * Powder coat finish (color options on page 2)



Recommended Specifications

Wall mounted outdoor bottle filler shall be Willoughby Model No. CWBF-3WM ____ (see Model Number and Options guide for actuator selection).

Model CWBF-3WM outdoor bottle filler shall be a single-level, vandal resistant drinking fountain with 304 stainless steel 10" Sched. 10 main column and 7 Ga. flange.

Filler spout shall be activated by a recessed mounted solid stainless steel pushbutton assembly which controls a lead-free, self-closing valve (optional hardwire- or battery operated- infrared activation available). Pushbutton operation shall require less than 5 lbs. of force.

Model CWBF-3WM bottle filler shall be lead-free and in compliance with ANSI/NSF 61, Section 9 requirements.

Optional 316 stainless steel body (main column, flange, and cap) are available for applications in which the unit's exterior may come into contact with salt water.



WARNING: Cancer and Reproductive Harm

- www.P65Warnings.ca.gov

visit our website at www.willoughbystainlessfountains.com

5105 West 78th Street • Indianapolis, IN. 46268
(317) 875-0830 • Fax: (317) 875-0837 • (800) 428-4065



MADE IN THE U.S.A.

MODEL NUMBER AND OPTIONS:

1.) Outdoor Bottle Filler Type:

- CWBF-3WM 1 Outdoor Bottle Filler, and 2 Drinking Fountain Bowls

2.) Bottle Filler Actuator Options (select one):

- RPB Recessed Push Button
 BO Battery Operated Infrared Sensor

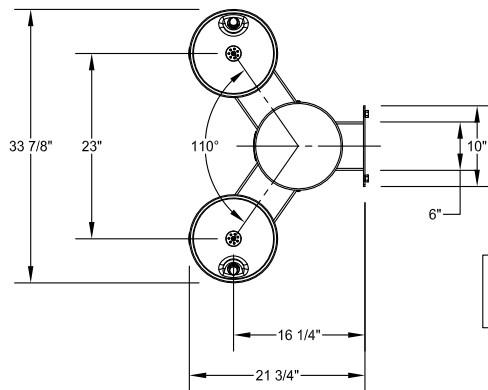
3.) Options:

- 316-3 316 Stainless Steel Body, Triple
 SOV Shut Off Valve
 SCV Seasonal Bowl Cover (2)

4.) Colors (select one):

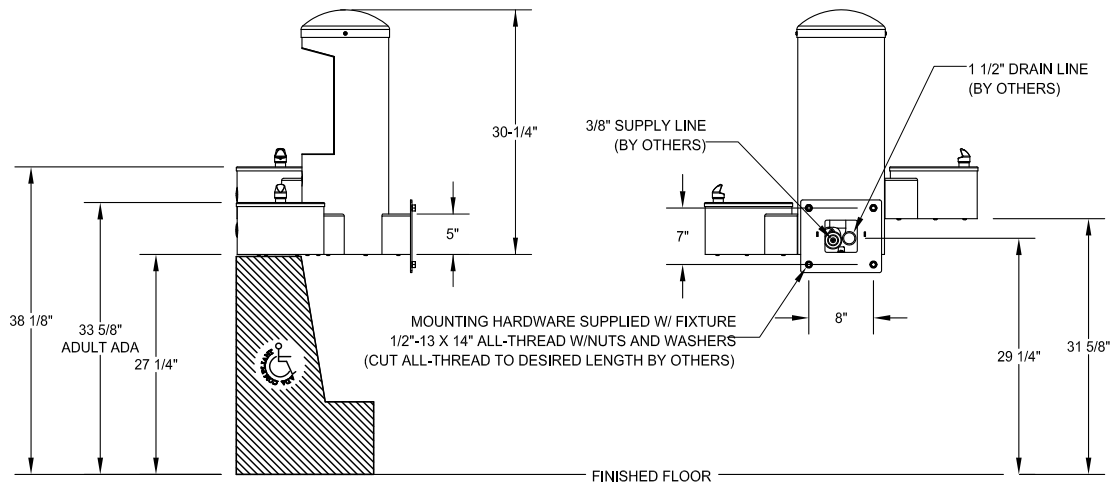
- SL Silver
 G Green
 R Red
 BL Blue
 O Orange
 V Violet
 Y Yellow
 BR Brown
 BK Black
 BE Beige
 W White
 YG Yellow Green
 LBL Light Blue
 GT Graphite (Textured)
 MTW Matte White

Approved For Manufacturing By: _____ Date: _____ Company: _____
 Wall Thickness: _____ Wall Type: _____



 IN COMPLIANCE WITH A.D.A. 2010

VERIFY ALL DIMENSIONS WITH FACTORY PRIOR TO ROUGH-IN
 WILLOUGHBY RESERVES THE RIGHT TO MAKE CHANGES IN DESIGN AND DIMENSIONS WITHOUT FORMAL NOTICE AND WITHOUT INCURRING OBLIGATION.



visit our website at www.wiloughbystainlessfountains.com

5105 West 78th Street • Indianapolis, IN. 46268

(317) 875-0830 • Fax: (317) 875-0837 • (800) 428-4065



MADE IN THE U.S.A.

CWBF-1-HF Series Outdoor Hands-Free Bottle Filler

Recommended Specifications

Outdoor Hands-Free bottle filler shall be Willoughby Model No. **CWBF-1-HF** ____ (see Model Number and Options guide for actuator selection).

Model **CWBF-1-HF** Hands-Free outdoor bottle filler shall be a single-level, vandal resistant bottle filler with 304 stainless steel 8" Sched. 10 main column and 11 Ga. flange.

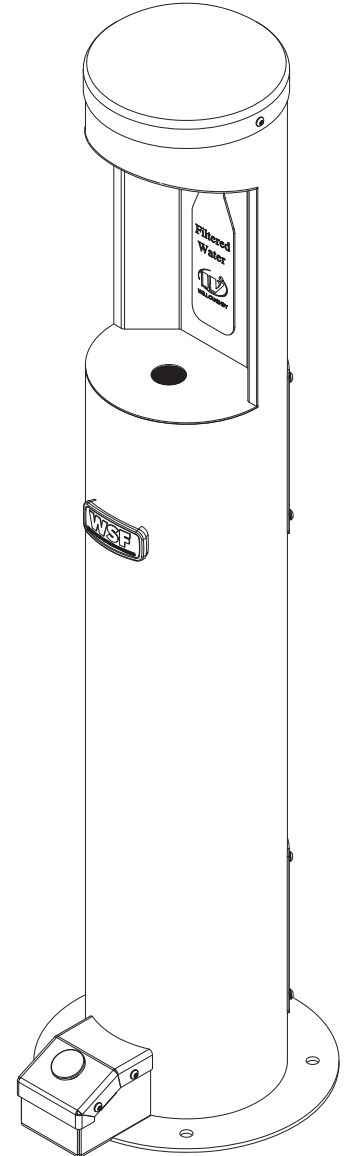
Filler spout shall be activated by a foot operated solid stainless steel pushbutton assembly which controls a lead-free, self-closing valve. Foot operated pushbutton operation shall require less than 5 lbs. of force (optional battery operated-infrared activation available).

Model **CWBF-1-HF** bottle filler shall be lead-free and in compliance with ANSI/NSF 61, Section 9 requirements.

Optional mounting kit available for purchase consisting of stainless steel anchors, nuts, washers and rubber gasket washers. If optional kit is not used, stainless steel hardware recommended.

Standard Features

- * Simple, vandal-resistant foot operated push button or optional infrared operation
- * Quick, 1-gallon-per-minute fill rate
- * One-piece fully-welded construction
- * Standard heavy duty type 304 stainless steel 8" Sched. 10 main column and 11 Ga. flange
- * Optional marine-grade type 316 stainless steel body for installations near salt water
- * Solid stainless steel vandal resistant anti-rotation filler spout
- * Replaceable in-line charcoal filter on inlet water supply
- * Heavy-duty main column access panels
- * Promotes use of environmentally friendly refillable bottles, reducing use of disposable bottles
- * Compliant to ADA reach height guidelines
- * Powder coat finish (color options on page 2)



To specify fixture and options, use the Model Number and Options page.

Example: To specify a CWBF-1-HF outdoor hands-free bottle filler with foot operated pushbutton, and 316 stainless steel body/cap/flange in Green color,

Use the following Willoughby Model Number: CWBF-1-HF-316-1-G



WARNING: Cancer and Reproductive Harm

- www.P65Warnings.ca.gov

visit our website at www.willoughbystainlessfountains.com

5105 West 78th Street • Indianapolis, IN. 46268
(317) 875-0830 • Fax: (317) 875-0837 • (800) 428-4065



MADE IN THE U.S.A.

MODEL NUMBER AND OPTIONS:

1.) Outdoor Bottle Filler Type:

CWBF-1-HF Outdoor Hands-Free Bottle Filler

2.) Actuator options (select one):

FO Foot Operated Pushbutton (standard)
 BO Battery Operated Infrared Sensor

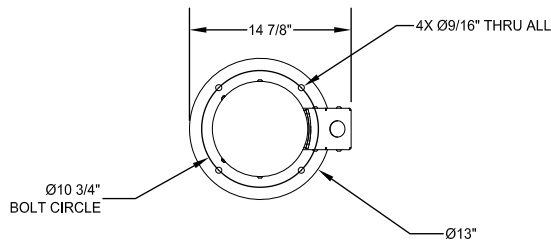
3.) Options:

316-1 316 Stainless Steel Body, Single
 CAR-1 Surface Carrier, Single (Including mounting hardware)
 JF Jug Filler (Recessed push button)
 HBE Hose Bibb Exposed
 HBLD Recessed Hose Bibb W/Lock Door
 HH Hose / Leash Hanger
 FW Foot Wash (Recessed push button)
 SOV Shut Off Valve
 WSFMK4 4 Bolt Hole Mounting Kit (Not req'd with Carrier option)

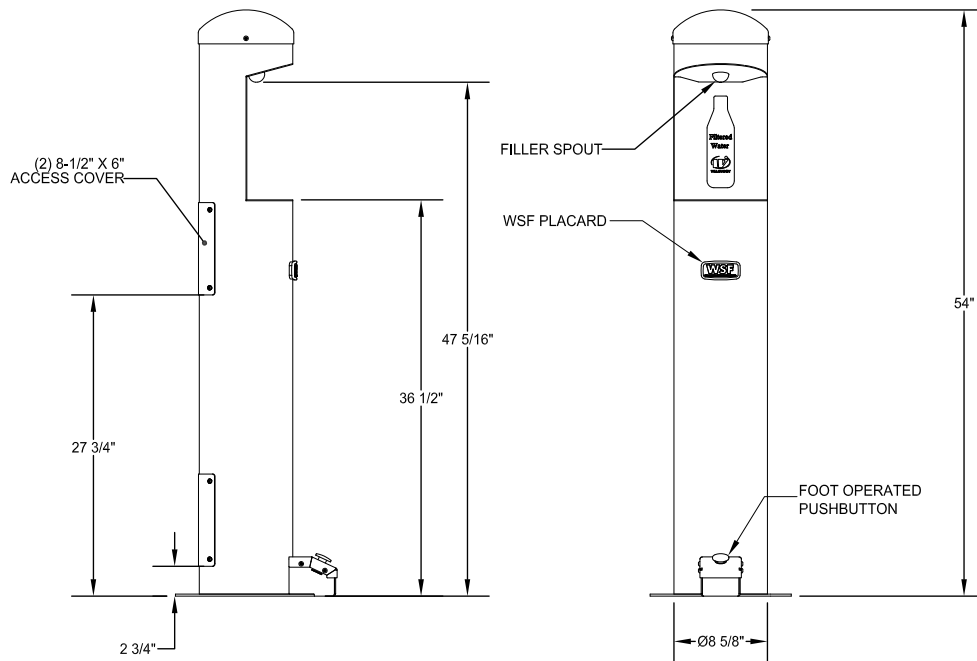
4.) Colors (select one):

SL Silver
 G Green
 R Red
 BL Blue
 O Orange
 V Violet
 Y Yellow
 BR Brown
 BK Black
 BE Beige
 W White
 YG Yellow Green
 LBL Light Blue
 GT Graphite (Textured)
 MTW Matte White

Approved For Manufacturing By: _____ Date: _____ Company: _____
 Wall Thickness: _____ Wall Type: _____



VERIFY ALL DIMENSIONS WITH FACTORY PRIOR TO ROUGH-IN
 WILLOUGHBY RESERVES THE RIGHT TO MAKE CHANGES IN DESIGN AND DIMENSIONS WITHOUT FORMAL NOTICE AND WITHOUT INCURRING OBLIGATION.



visit our website at www.willoughbystainlessfountains.com

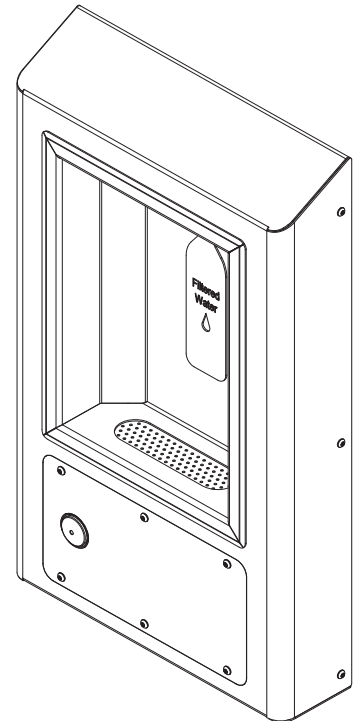
5105 West 78th Street • Indianapolis, IN. 46268

(317) 875-0830 • Fax: (317) 875-0837 • (800) 428-4065



MADE IN THE U.S.A.

WOBF-1SM Series Stainless Steel Surface Mounted Bottle Filler



Standard Features

Stainless Steel, Surface Mounted, Bottle Filler shall be:
Willoughby Model No. **WOBF-1SM**.

Model **WOBF-1SM** bottle filler shall be constructed of a vandal resistant 304 stainless steel, with a removable bottom panel.

Filler spout shall be activated by a solid stainless steel pushbutton assembly which controls a lead-free, self-closing valve. Pushbutton operation shall require less than 5 lbs. of force to activate.

Model **WOBF-1SM** bottle filler shall be lead-free and in compliance with ANSI/NSF 61, Section 9 requirements.

Anchoring shall be by wall mounting frame attached to wall. Anchoring hardware is to be provided by others.

Recommended Specifications

- * Simple, vandal-resistant pushbutton
- * Quick, 1-gallon-per-minute fill rate
- * Standard heavy duty type 304 14 Ga. stainless steel
- * Solid stainless steel vandal resistant anti-rotation filler spout
- * Replaceable in-line charcoal filter on inlet water supply
- * Promotes use of environmentally friendly refillable bottles, reducing use of disposable bottles
- * Compliant to ADA reach height guidelines
(Optional cane skirt available for use in circulation path)
- * Removable bottom panel
- * Powder coat finish (color options on page 2)

To specify fixture and options, use the Model Number and Options page.

Example: To specify a WOBF-1SM surface mounted bottle filler with single temp non-metering valve, recessed pushbutton, and in Silver color.

Use the following Willoughby Model Number: WOBF-1SM-RPB-SL



WARNING: Cancer and Reproductive Harm

- www.P65Warnings.ca.gov

visit our website at www.willoughbystainlessfountains.com

5105 West 78th Street • Indianapolis, IN. 46268
(317) 875-0830 • Fax: (317) 875-0837 • (800) 428-4065



MADE IN THE U.S.A.

MODEL NUMBER AND OPTIONS:

1.) Type:

- WOBF-1SM-RPB Stainless Steel, Surface Mounted,
Bottle Filler

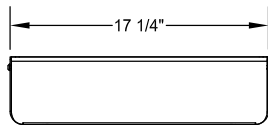
2.) Option:

- CS Cane Skirt (Required when for use in circulation paths)

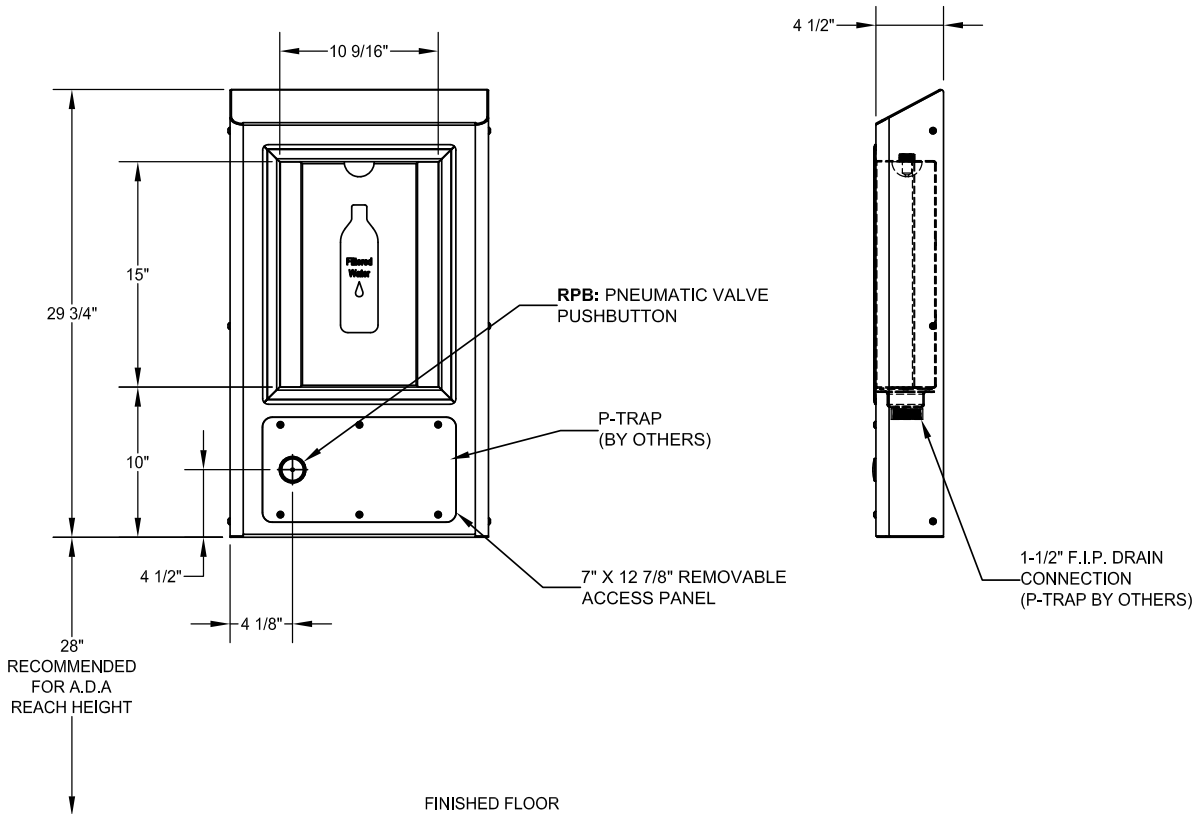
3.) Colors (select one):

- SL Silver
- G Green
- R Red
- BL Blue
- O Orange
- V Violet
- Y Yellow
- BR Brown
- BK Black
- BE Beige
- W White
- YG Yellow Green
- LBL Light Blue
- GT Graphite (Textured)
- MTW Matte White

Approved For Manufacturing By: _____ Date: _____ Company: _____
 Wall Thickness: _____ Wall Type: _____



VERIFY ALL DIMENSIONS WITH FACTORY PRIOR TO ROUGH-IN
 WILLOUGHBY RESERVES THE RIGHT TO MAKE CHANGES IN DESIGN AND DIMENSIONS WITHOUT FORMAL NOTICE AND WITHOUT INCURRING OBLIGATION.



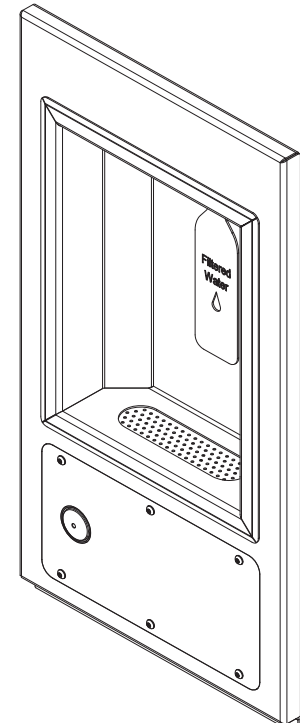
visit our website at www.willoughbystainlessfountains.com

5105 West 78th Street • Indianapolis, IN. 46268
 (317) 875-0830 • Fax: (317) 875-0837 • (800) 428-4065



MADE IN THE U.S.A.

WOBF-1RM-FA Series Stainless Steel Rear Mounted Front Access Bottle Filler



Standard Features

Stainless Steel, Rear Mounted, Front Access, Bottle Filler shall be:
Willoughby Model No. **WOBF-1RM-FA**.

Model **WOBF-1RM-FA** bottle filler shall be constructed of a vandal resistant 304 stainless steel, with a removable bottom panel.

Filler spout shall be activated by a solid stainless steel pushbutton assembly which controls a lead-free, self-closing valve. Pushbutton operation shall require less than 5 lbs. of force to activate.

Model **WOBF-1RM-FA** bottle filler shall be lead-free and in compliance with ANSI/NSF 61, Section 9 requirements.

Anchoring shall be by z-clip at the top of the fixture and internal wall mounting holes at the bottom of the fixture. Anchoring hardware is to be provided by others.

Recommended Specifications

- * Simple, vandal-resistant pushbutton
- * Quick, 1-gallon-per-minute fill rate
- * Standard heavy duty type 304 14 Ga. stainless steel
- * Solid stainless steel vandal resistant anti-rotation filler spout
- * Replaceable in-line charcoal filter on inlet water supply
- * Promotes use of environmentally friendly refillable bottles, reducing use of disposable bottles
- * Compliant to ADA reach height guidelines
- * Removable bottom panel
- * Powder coat finish (color options on page 2)

To specify fixture and options, use the Model Number and Options page.

Example: To specify a WOBF-1RM rear mounted front access bottle filler with single temp non-metering valve, recessed pushbutton, and in Silver color.

Use the following Willoughby Model Number: WOBF-1RM-FA-RPB-SL



WARNING: Cancer and Reproductive Harm

- www.P65Warnings.ca.gov

visit our website at www.willoughbystainlessfountains.com

5105 West 78th Street • Indianapolis, IN. 46268
(317) 875-0830 • Fax: (317) 875-0837 • (800) 428-4065



MADE IN THE U.S.A.

MODEL NUMBER AND OPTIONS:

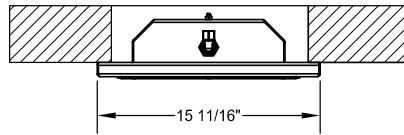
1.) Type:

- WOBF-1RM-FA-RPB Stainless Steel, Rear mounted, Front Access, Bottle Filler

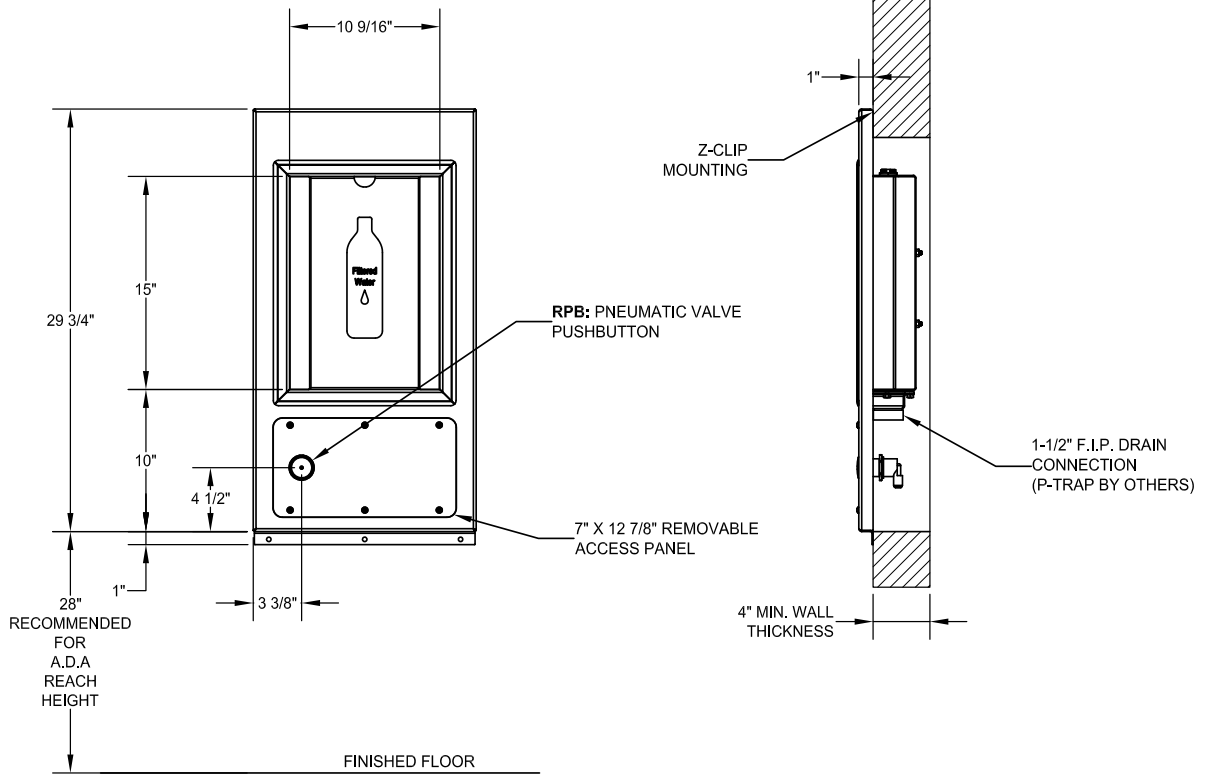
3.) Colors (select one):

- SL Silver
- G Green
- R Red
- BL Blue
- O Orange
- V Violet
- Y Yellow
- BR Brown
- BK Black
- BE Beige
- W White
- YG Yellow Green
- LBL Light Blue
- GT Graphite (Textured)
- MTW Matte White

Approved For Manufacturing By: _____ Date: _____ Company: _____
 Wall Thickness: _____ Wall Type: _____



VERIFY ALL DIMENSIONS WITH FACTORY PRIOR TO ROUGH-IN
 WILLOUGHBY RESERVES THE RIGHT TO MAKE CHANGES IN DESIGN AND DIMENSIONS WITHOUT FORMAL NOTICE AND WITHOUT INCURRING OBLIGATION.



visit our website at www.willoughbystainlessfountains.com
 5105 West 78th Street • Indianapolis, IN. 46268
 (317) 875-0830 • Fax: (317) 875-0837 • (800) 428-4065

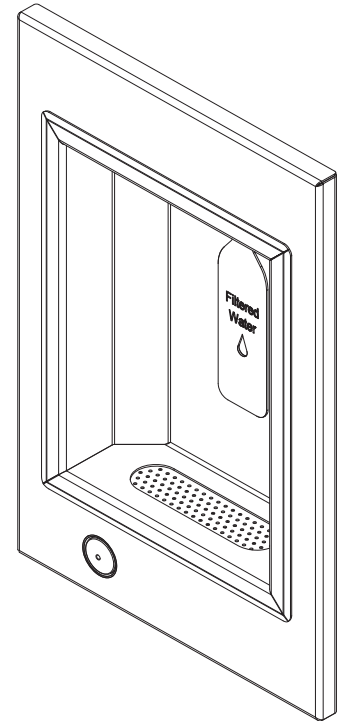


MADE IN THE U.S.A.

Willoughby Stainless Fountains



WOBF-1RM Series Stainless Steel Rear Mounted Bottle Filler



Standard Features

Stainless Steel, Rear Mounted, Bottle Filler shall be:
Willoughby Model No. **WOBF-1RM**.

Model **WOBF-1RM** bottle filler shall be constructed of a vandal resistant 304 stainless steel.

Filler spout shall be activated by a solid stainless steel pushbutton assembly which controls a lead-free, self-closing valve. Pushbutton operation shall require less than 5 lbs. of force to activate.

Model **WOBF-1RM** bottle filler shall be lead-free and in compliance with ANSI/NSF 61, Section 9 requirements.

Anchoring shall be by standard 4-point system. $\varnothing 1/2$ " threaded rods, nuts and washers shall be furnished for walls up to 8" thick.

Recommended Specifications

- * Simple, vandal-resistant pushbutton
- * Quick, 1-gallon-per-minute fill rate
- * Standard heavy duty type 304 14 Ga. stainless steel
- * Solid stainless steel vandal resistant anti-rotation filler spout
- * Replaceable in-line charcoal filter on inlet water supply
- * Promotes use of environmentally friendly refillable bottles, reducing use of disposable bottles
- * Compliant to ADA reach height guidelines
- * Powder coat finish (color options on page 2)

To specify fixture and options, use the Model Number and Options page.

Example: To specify a WOBF-1RM rear mounted bottle filler with single temp non-metering valve, recessed pushbutton, and in Silver color.

Use the following Willoughby Model Number: WOBF-1RM-RPB-SL



WARNING: Cancer and Reproductive Harm

- www.P65Warnings.ca.gov

visit our website at www.willoughbystainlessfountains.com

5105 West 78th Street • Indianapolis, IN. 46268
(317) 875-0830 • Fax: (317) 875-0837 • (800) 428-4065



MADE IN THE U.S.A.

MODEL NUMBER AND OPTIONS:

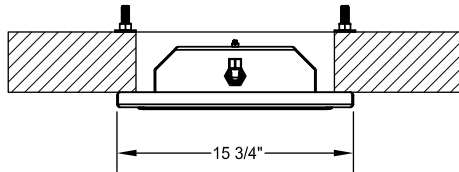
1.) Type:

- WOBF-1RM-RPB Stainless Steel, Rear mounted, Bottle Filler

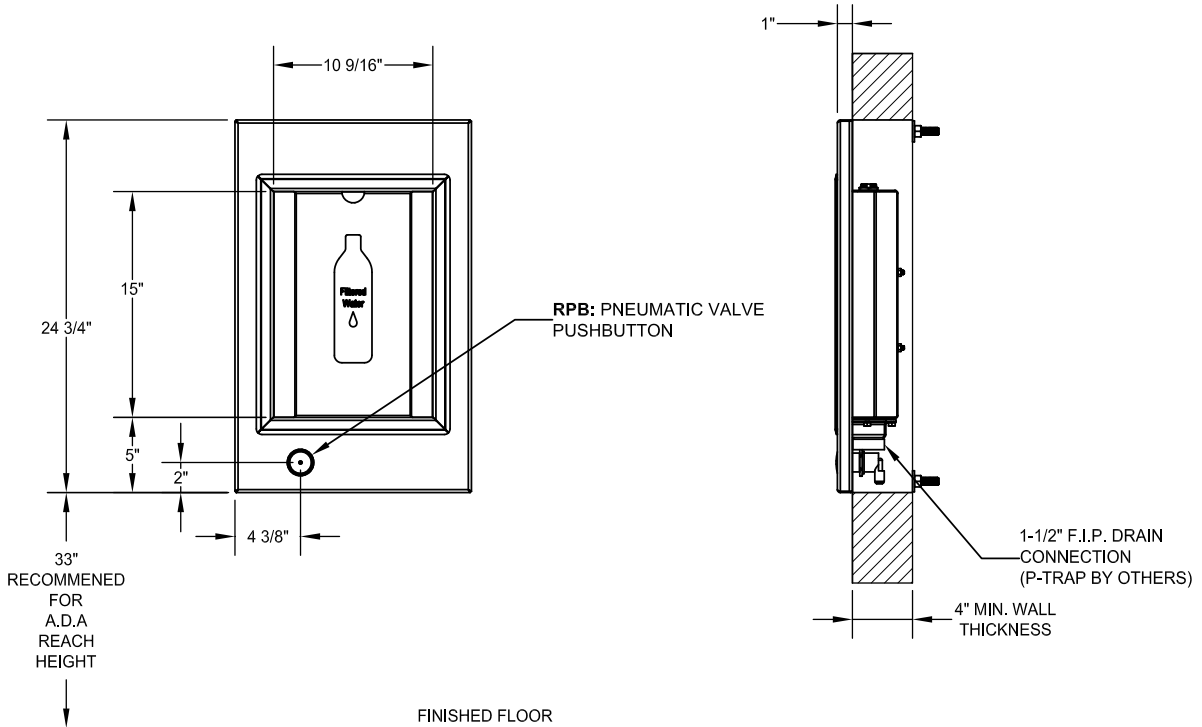
3.) Colors (select one):

- SL Silver
- G Green
- R Red
- BL Blue
- O Orange
- V Violet
- Y Yellow
- BR Brown
- BK Black
- BE Beige
- W White
- YG Yellow Green
- LBL Light Blue
- GT Graphite (Textured)
- MTW Matte White

Approved For Manufacturing By: _____ Date: _____ Company: _____
 Wall Thickness: _____ Wall Type: _____



VERIFY ALL DIMENSIONS WITH FACTORY PRIOR TO ROUGH-IN
 WILLOUGHBY RESERVES THE RIGHT TO MAKE CHANGES IN DESIGN AND DIMENSIONS WITHOUT FORMAL NOTICE AND WITHOUT INCURRING OBLIGATION.



visit our website at www.willoughbystainlessfountains.com
 5105 West 78th Street • Indianapolis, IN. 46268
 (317) 875-0830 • Fax: (317) 875-0837 • (800) 428-4065

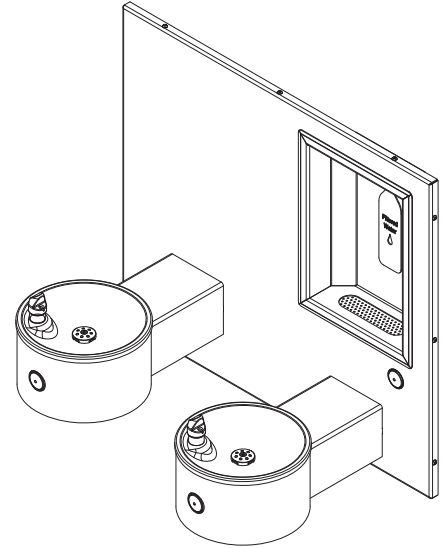


MADE IN THE U.S.A.

Willoughby Stainless Fountains



CWBFD-3WM Series Outdoor Wall Mounted Bottle Filler w/Drinking Fountains



To specify fixture and options, use the Model Number and Options page.

Example: To specify a CWBFD-3WM outdoor bottle filler with drinking fountain with recessed pushbutton, child drinking fountain bowl height, pet drinking fountain, and 316 stainless steel body/cap/flange in Blue color,

Use the following Willoughby Model Number: CWBFD-3WM-RPB-316-3-BL

Recommended Specifications

Outdoor bottle filler with drinking fountains shall be Willoughby Model No. **CWBFD-3WM-___** (see Model Number and Options guide for actuator selection).

Model **CWBFD-3WM** outdoor bottle filler with drinking fountain shall be a triple-level, vandal resistant wall mounted drinking fountain with 304 stainless steel 14 Ga. wall plate.

Bottle filler spout and fountain bubbler shall be activated by Separate recessed mounted solid stainless steel pushbutton assemblies (optional battery operated infrared activation available for bottle filler spout).

Drinking fountain shall have high-polished, 18 gauge stainless steel bowl with anti-rotation, anti-squirt, solid stainless steel bubblers.

All pushbuttons control lead-free, self-closing valves. Pushbutton operation shall require less than 5 lbs. of force.

Flow controls are used to ensure adequate flow without being wasteful. Bottle filler flows 1.0 GPM, drinking fountain flows 0.5 GPM.

Model **CWBFD-3WM** fountain shall be lead-free, adhering to ANSI/ NSF 61, Section 9, ANSI A117.1 and American Disabilities Act of 2010 requirements.

Optional 316 stainless steel body (main column, flange, and cap) are available for applications in which the unit's exterior may come into contact with salt water.

Standard Features

- * Adult A.D.A. compliant
- * Compliant to ADA reach height guidelines
- * Quick, 1-gallon-per-minute bottle fill rate
- * Optional marine-grade type 316 stainless steel body for installations near salt water
- * Solid stainless steel vandal resistant anti-rotation bottle filler spout
- * Solid stainless steel anti-rotation drinking fountain bubbler
- * High polished stainless steel bowl
- * Replaceable in-line charcoal filter on inlet water supply
- * Resistant to sunlight, heat, and vandalism
- * Promotes use of environmentally friendly refillable bottles, reducing use of disposable bottles
- * Powder coat finish (color options on page 2)



WARNING: Cancer and Reproductive Harm

- www.P65Warnings.ca.gov

visit our website at www.willoughbystainlessfountains.com

5105 West 78th Street • Indianapolis, IN. 46268
(317) 875-0830 • Fax: (317) 875-0837 • (800) 428-4065



MADE IN THE U.S.A.

WSF2-21

MODEL NUMBER AND OPTIONS:

1.) Outdoor Bottle Filler Type:

- CWBFD-3WM 1 Wall Mounted Outdoor Bottle Filler, 1 Adult A.D.A. Drinking Fountain Bowl, and 1 Drinking Fountain Bowl

2.) Bottle Filler Actuator Options (select one):

- RPB Recessed Push Button
- BO Battery Operated Infrared Sensor

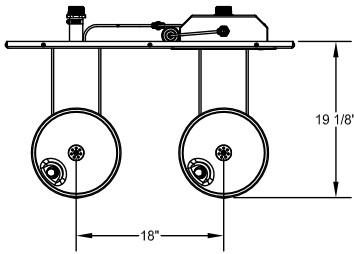
3.) Options:

- 316-3 316 Stainless Steel Body, Triple
- SOV Shut Off Valve
- SCV Seasonal Bowl Covers (2)

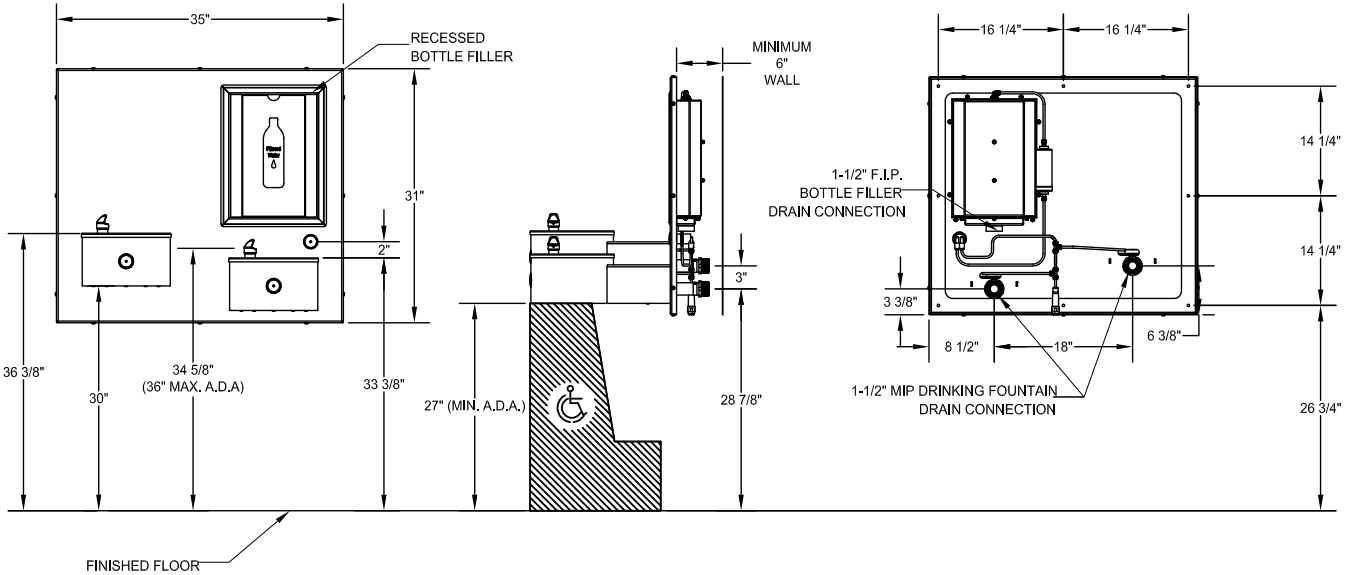
5.) Colors (select one):

- SL Silver
- G Green
- R Red
- BL Blue
- O Orange
- V Violet
- Y Yellow
- BR Brown
- BK Black
- BE Beige
- W White
- YG Yellow Green
- LBL Light Blue
- GT Graphite (Textured)
- MTW Matte White

Approved For Manufacturing By: _____ Date: _____ Company: _____
 Wall Thickness: _____ Wall Type: _____



VERIFY ALL DIMENSIONS WITH FACTORY PRIOR TO ROUGH-IN
 WILLOUGHBY RESERVES THE RIGHT TO MAKE CHANGES IN DESIGN AND DIMENSIONS WITHOUT FORMAL NOTICE AND WITHOUT INCURRING OBLIGATION.



visit our website at www.willoughbystainlessfountains.com

5105 West 78th Street • Indianapolis, IN. 46268

(317) 875-0830 • Fax: (317) 875-0837 • (800) 428-4065

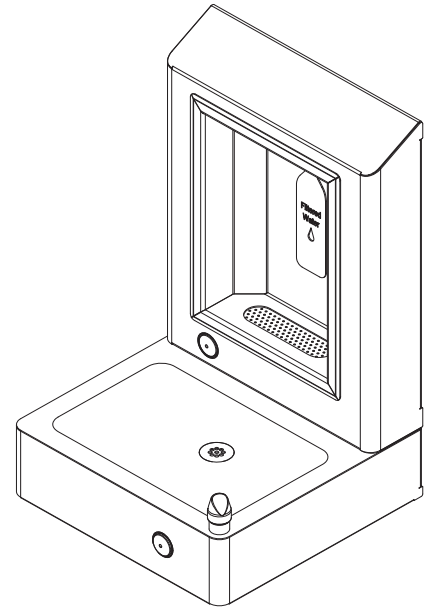


MADE IN THE U.S.A.

Willoughby Stainless Fountains



WOBFDF Series Stainless Steel ADA Compliant Rear Mounted Bottle Filler w/ Drinking Fountain



Standard Features

Stainless Steel, ADA Compliant, Bottle Filler w/ Drinking Fountain shall be:
Willoughby Model No. **WOBFDF**

Model **WOBFDF** bottle filler shall be constructed of a vandal resistant 304 stainless steel.

Filler spout shall be activated by a solid stainless steel pushbutton assembly which controls a lead-free, self-closing valve. Pushbutton operation shall require less than 5 lbs. of force to activate.

Model **WOBFDF** bottle filler shall be lead-free and in compliance with ANSI/NSF 61, Section 9 requirements.

Anchoring shall be by standard 6-point system. $\varnothing 1/2$ " threaded rods, nuts and washers shall be furnished for walls up to 8" thick.

Recommended Specifications

- * Adult A.D.A. compliant
- * Compliant to ADA reach height guidelines
- * Quick, 1-gallon-per-minute bottle fill rate
- * Solid stainless steel vandal resistant anti-rotation bottle filler spout
- * Solid stainless steel anti-rotation drinking fountain bubbler
- * Resistant to sunlight, heat, and vandalism
- * Replaceable in-line charcoal filter on inlet water supply
- * Promotes use of environmentally friendly refillable bottles, reducing use of disposable bottles
- * Powder coat finish (color options on page 2)

To specify fixture and options, use the Model Number and Options page.

Example: To specify a WOBFDF rear mounted bottle filler with single temp non-metering valve, recessed pushbutton, and in Silver color.

Use the following Willoughby Model Number: WOBFDF-SL



WARNING: Cancer and Reproductive Harm

- www.P65Warnings.ca.gov

visit our website at www.willoughbystainlessfountains.com

5105 West 78th Street • Indianapolis, IN. 46268
(317) 875-0830 • Fax: (317) 875-0837 • (800) 428-4065



MADE IN THE U.S.A.

MODEL NUMBER AND OPTIONS:

1.) Type:

- WOBDFD Stainless Steel, ADA Compliant, Rear Mounted, Bottle Filler w/ Drinking Fountain

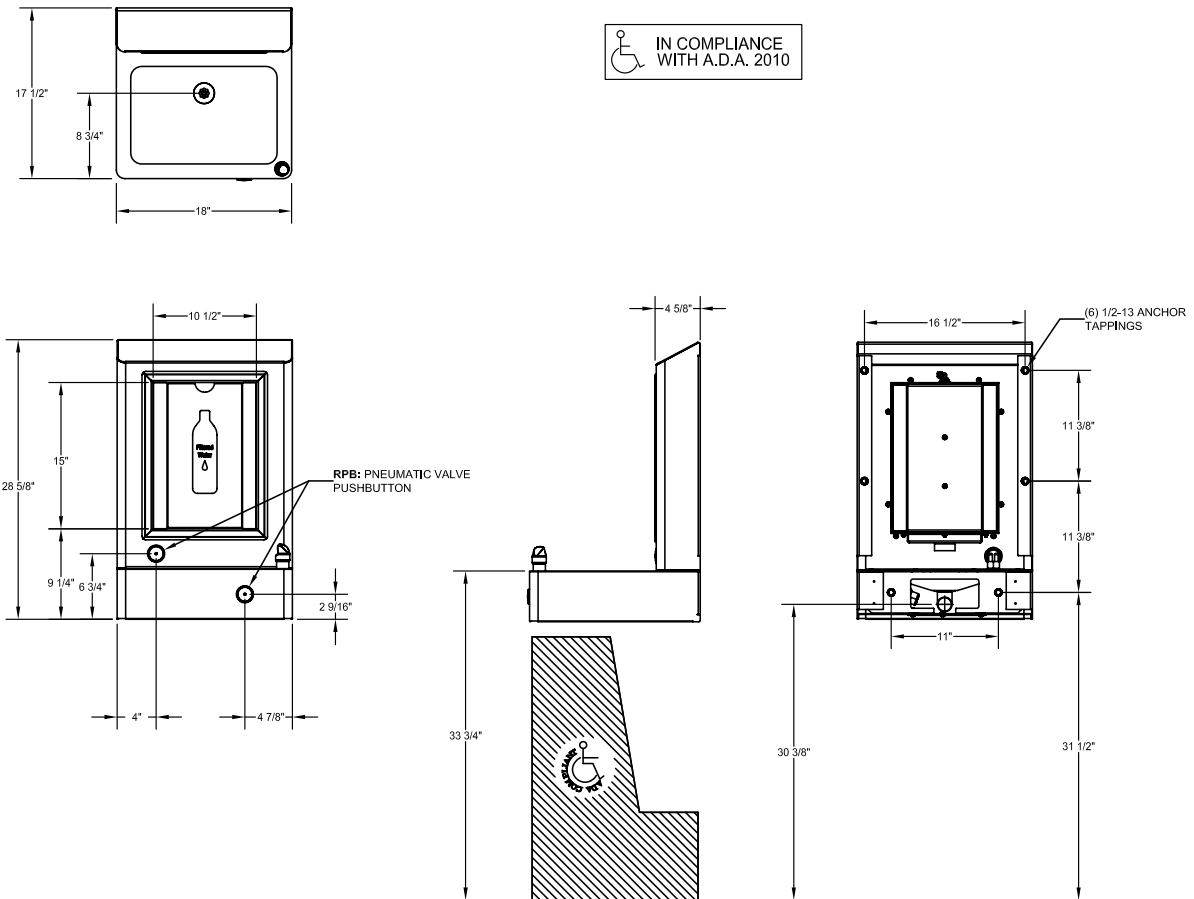
2.) Colors (select one):

- SL Silver
- G Green
- R Red
- BL Blue
- O Orange
- V Violet
- Y Yellow
- BR Brown
- BK Black
- BE Beige
- W White
- YG Yellow Green
- LBL Light Blue
- GT Graphite (Textured)
- MTW Matte White

Approved For Manufacturing By: _____ Date: _____ Company: _____
 Wall Thickness: _____ Wall Type: _____



VERIFY ALL DIMENSIONS WITH FACTORY PRIOR TO ROUGH-IN
 WILLOUGHBY RESERVES THE RIGHT TO MAKE CHANGES IN DESIGN AND DIMENSIONS WITHOUT FORMAL NOTICE AND WITHOUT INCURRING OBLIGATION.



visit our website at www.willoughbystainlessfountains.com

5105 West 78th Street • Indianapolis, IN. 46268
 (317) 875-0830 • Fax: (317) 875-0837 • (800) 428-4065

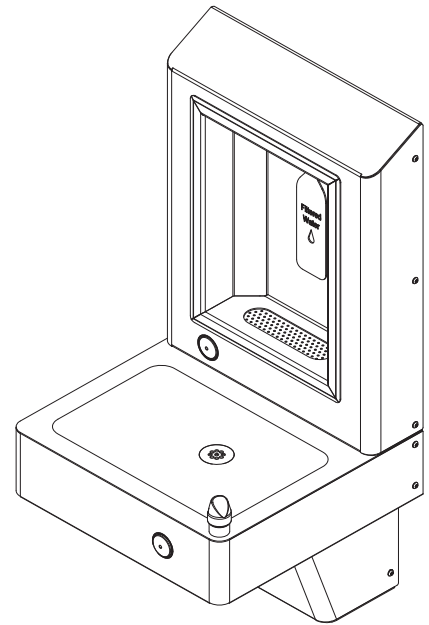


MADE IN THE U.S.A.

Willoughby Stainless Fountains



WOBFDF-FA Series Stainless Steel ADA Compliant Front Mounted Bottle Filler w/ Drinking Fountain



Standard Features

Stainless Steel, ADA Compliant, Front Mounted Bottle Filler w/ Drinking Fountain shall be: Willoughby Model No. **WOBFDF-FA**

Model **WOBFDF-FA** bottle filler shall be constructed of vandal resistant 304 stainless steel. With a removable bottom shroud.

Filler spout shall be activated by a solid stainless steel pushbutton assembly which controls a lead-free, self-closing valve. Pushbutton operation shall require less than 5 lbs. of force to activate.

Model **WOBFDF-FA** bottle filler shall be lead-free and in compliance with ANSI/NSF 61, Section 9 requirements.

Anchoring shall be by wall mounting frame attached to wall. Anchoring hardware is to be provided by others.

Recommended Specifications

- * Adult A.D.A. compliant
- * Compliant to ADA reach height guidelines
- * Quick, 1-gallon-per-minute bottle fill rate
- * Solid stainless steel vandal resistant anti-rotation bottle filler spout
- * Solid stainless steel anti-rotation drinking fountain bubbler
- * Resistant to sunlight, heat, and vandalism
- * Replaceable in-line charcoal filter on inlet water supply
- * Promotes use of environmentally friendly refillable bottles, reducing use of disposable bottles
- * Powder coat finish (color options on page 2)

To specify fixture and options, use the Model Number and Options page.

Example: To specify a WOBFDF-FA front mounted bottle filler with single temp non-metering valve, recessed pushbutton, and in Silver color.

Use the following Willoughby Model Number: WOBFDF-FA-SL



WARNING: Cancer and Reproductive Harm

- www.P65Warnings.ca.gov

visit our website at www.willoughbystainlessfountains.com

5105 West 78th Street • Indianapolis, IN. 46268
(317) 875-0830 • Fax: (317) 875-0837 • (800) 428-4065



MADE IN THE U.S.A.

MODEL NUMBER AND OPTIONS:

1.) Type:

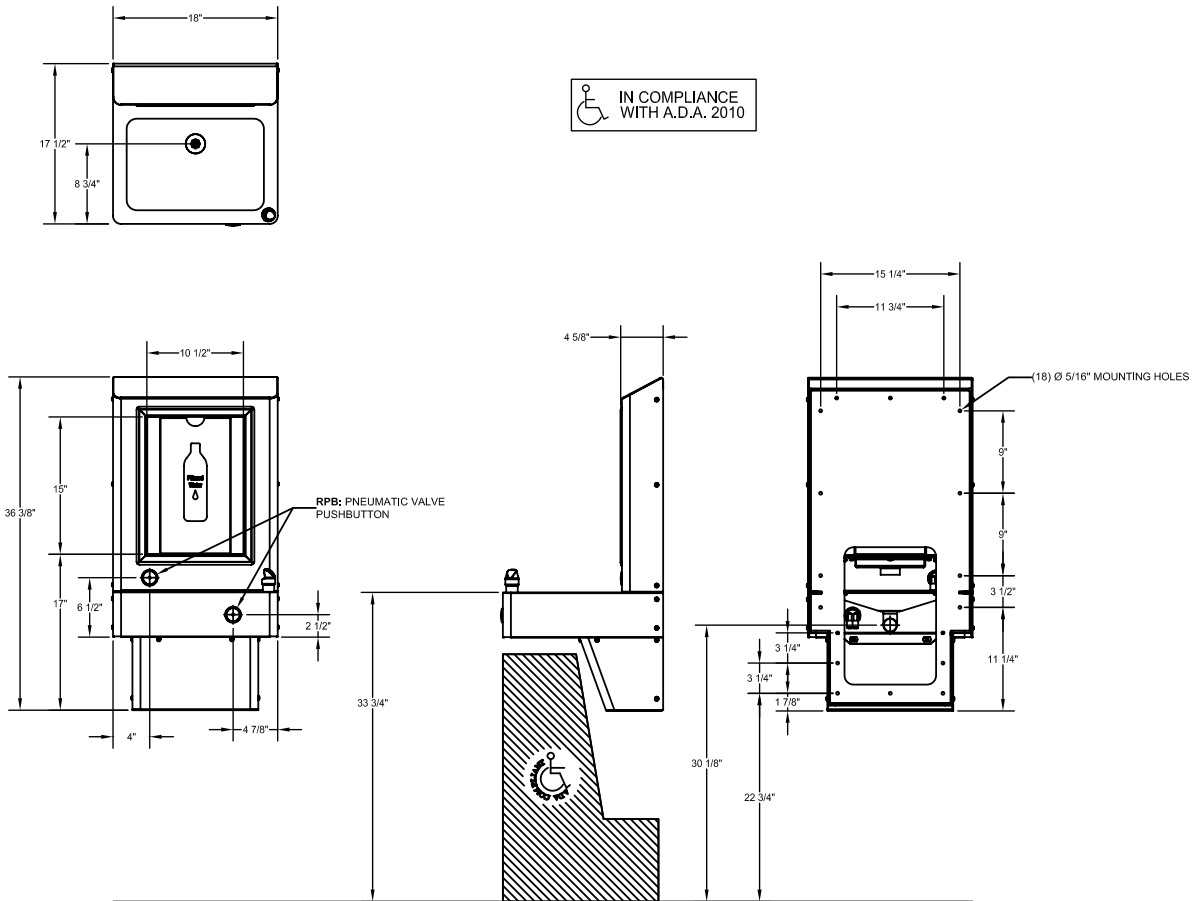
- WOBFDF-FA Stainless Steel, ADA Compliant,
Front Mounted, Bottle Filler w/ Drinking
Fountain

2.) Colors (select one):

- SL Silver
 G Green
 R Red
 BL Blue
 O Orange
 V Violet
 Y Yellow
 BR Brown
 BK Black
 BE Beige
 W White
 YG Yellow Green
 LBL Light Blue
 GT Graphite (Textured)
 MTW Matte White

Approved For Manufacturing By: _____ Date: _____ Company: _____
 Wall Thickness: _____ Wall Type: _____

VERIFY ALL DIMENSIONS WITH FACTORY PRIOR TO ROUGH-IN
 WILLOUGHBY RESERVES THE RIGHT TO MAKE CHANGES IN DESIGN AND
 DIMENSIONS WITHOUT FORMAL NOTICE AND WITHOUT INCURRING OBLIGATION.



visit our website at www.wiloughbystainlessfountains.com
 5105 West 78th Street • Indianapolis, IN. 46268
 (317) 875-0830 • Fax: (317) 875-0837 • (800) 428-4065



MADE IN THE U.S.A.



OUTDOOR SHOWERS



(Page Intentionally Left Blank)

Willoughby Stainless Fountains



WODS Series Outdoor Shower

To specify fixture and options, use the Model Number and Options page.

Example: To specify a WODS outdoor shower with 4 shower heads, 1 foot shower, 316 stainless steel body / cap / flange, in Violet color

Use the following Willoughby Model Number: **WODS-4-1-316-V**

✓	MODEL NUMBER	SHOWER HEADS	FOOT SHOWERS
	WODS-1-0	1	0
	WODS-1-1	1	1
	WODS-2-0	2	0
	WODS-2-1	2	1
	WODS-2-2	2	2
	WODS-4-0	4	0
	WODS-4-1	4	1
	WODS-4-2	4	2

Recommended Specifications

Outdoor shower shall be Willoughby Model No. **WODS-__-__** (select number of shower heads and foot showers from table above).

Model **WODS** outdoor shower shall be vandal resistant with a 304 stainless steel 8" Sched. 10 main column and 11 Ga. flange.

Shower heads and foot showers shall be activated by recessed mounted solid stainless steel push button assemblies controlling lead-free metering and non-metering valves with 1.5 GPM flow. Shower unit is easily winterized by turning off the fixture supply line (shut-off valve by others), disconnecting the flexible supply hoses from the valves, and removing the valves from within the body; all valves are secured using a single-point attachment nut.

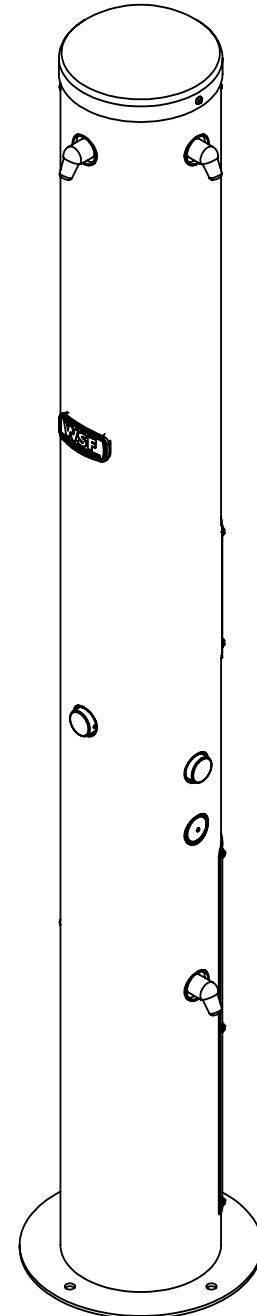
Shower heads and optional foot showers shall be Willoughby all-stainless steel (NPS) non-user adjustable shower heads.

Shower unit shall be factory assembled, tested for proper operation and ready for installation by a contractor. Unit to be anchored using 1/2"-13 anchoring bolts (by others).

Shower unit shall have a powder coat finish from the list of colors on the next page.

Optional marine-grade type 316 stainless steel body (main column, flange, and cap) is available for applications in which the unit's exterior may come into contact with salt water.

Optional mounting kit available for purchase consisting of stainless steel anchors, nuts, washers and rubber gasket washers. If optional kit is not used, stainless steel hardware recommended.



WARNING: Cancer and Reproductive Harm

- www.P65Warnings.ca.gov

visit our website at www.willoughbystainlessfountains.com

5105 West 78th Street • Indianapolis, IN. 46268

(317) 875-0830 • Fax: (317) 875-0837 • (800) 428-4065



MADE IN THE U.S.A.

MODEL NUMBER AND OPTIONS:

1.) Outdoor Shower Type:

WODS Outdoor Shower

2.) Head Showers:

1 One (1) Head Shower
 2 Two (2) Head Showers
 4 Four (4) Head Showers

3.) Foot Showers:

0 No Foot Showers
 1 One (1) Foot Shower
 2 Two (2) Foot Showers

4.) Flow Rates:

1.5 GPM (Standard)

5.) Options:

316-ODS 316 Stainless Steel Body For Outdoor Shower
 HBE Hose Bibb Exposed
 HBLD Recessed Hose Bibb w/Lock Door
 JF Jug Filler
 CAR-ODS Surface Carrier For Outdoor Shower (Including mounting hardware)
 WSFMK4 4 Bolt Hole Mounting Kit (Not req'd with Carrier option)

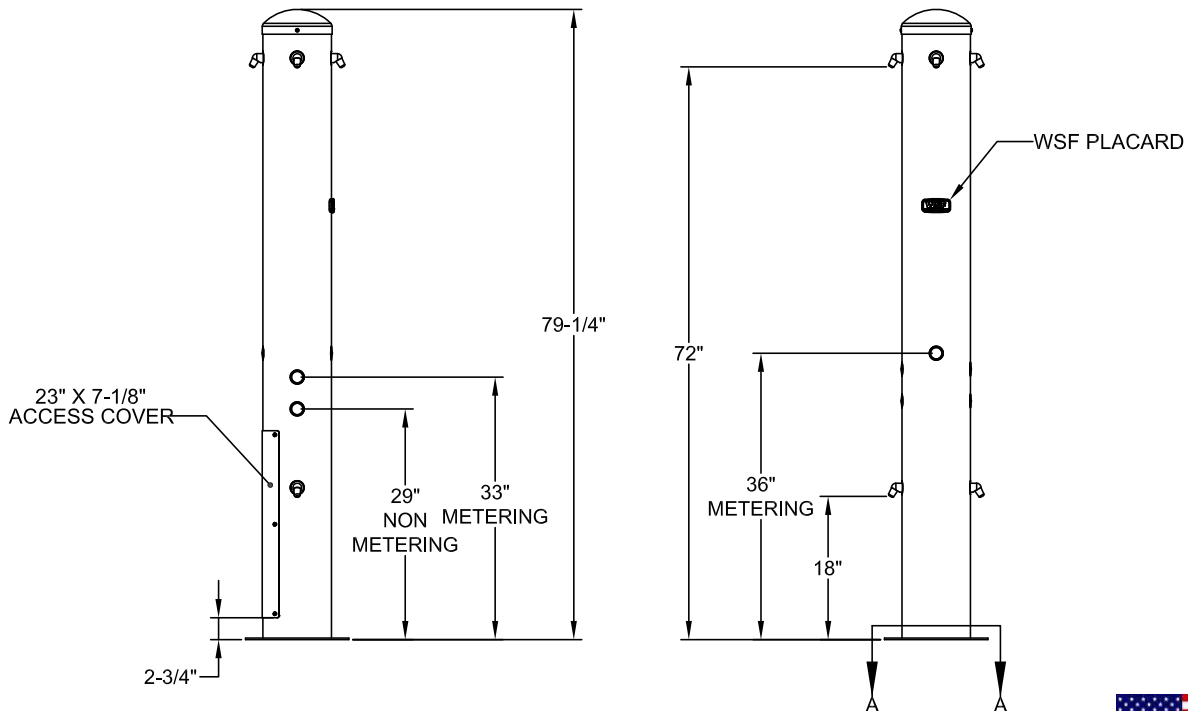
6.) Colors (select one):

SL Silver
 G Green
 R Red
 BL Blue
 O Orange
 V Violet
 Y Yellow
 BR Brown
 BK Black
 BE Beige
 W White
 YG Yellow Green
 LBL Light Blue
 GT Graphite (Textured)
 MTW Matte White

Approved For Manufacturing By: _____ Date: _____ Company: _____
 Wall Thickness: _____ Wall Type: _____



VERIFY ALL DIMENSIONS WITH FACTORY PRIOR TO ROUGH-IN
 WILLOUGHBY RESERVES THE RIGHT TO MAKE CHANGES IN DESIGN AND DIMENSIONS WITHOUT FORMAL NOTICE AND WITHOUT INCURRING OBLIGATION.



visit our website at www.willoughbystainlessfountains.com

5105 West 78th Street • Indianapolis, IN. 46268
 (317) 875-0830 • Fax: (317) 875-0837 • (800) 428-4065



MADE IN THE U.S.A.

Willoughby Stainless Fountains



WODS-ADA Series ADA Outdoor Shower



To specify fixture and options, use the Model Number and Options page.

Example: To specify a WODS-ADA outdoor shower with one-sided approach, 316 stainless steel body/cap/flange, in Yellow color

Use the following Willoughby Model Number: **WODS-ADA-1A-316-Y**

Recommended Specifications

Outdoor shower shall be Willoughby Model No. **WODS-ADA-**____...

Model **WODS-ADA** outdoor shower shall be vandal resistant with a 304 stainless steel 8" Sched. 10 main column and 11 Ga. flange.

Meets ADA reach and height requirements with one (1) standard shower head, one (1) shower head at ADA height, one (1) foot shower, two (2) grab bars, and three (3) push buttons for operating showers. Push button for ADA shower head is also at ADA height requirement.

Shower heads and foot showers shall be activated by recessed mounted solid stainless steel push button assemblies controlling lead-free metering and non-metering valves with 1.5 GPM flow. Shower unit is easily winterized by turning off the fixture supply line (shut-off valve by others), disconnecting the flexible supply hoses from the valves, and removing the valves from within the body; all valves are secured using a single-point attachment nut.

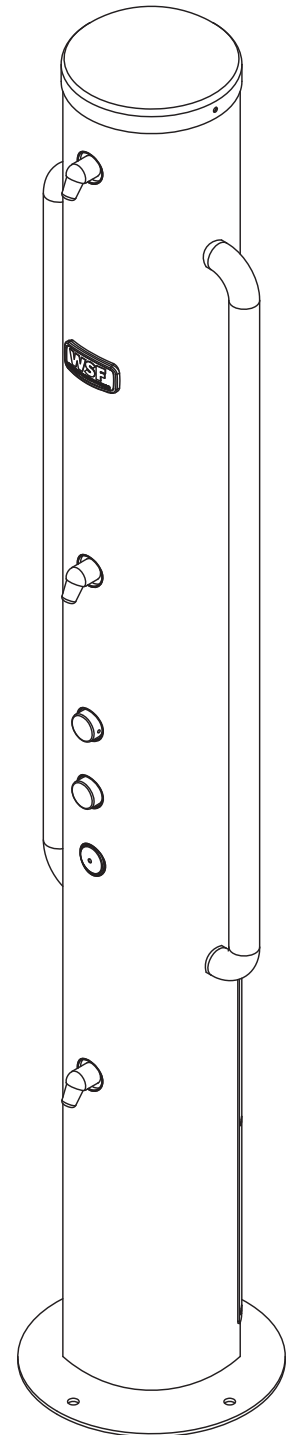
Shower heads and optional foot showers shall be Willoughby all-stainless steel (NPS) non-user adjustable shower heads.

Shower unit shall be factory assembled, tested for proper operation and ready for installation by a contractor. Unit to be anchored using 1/2"-13 anchoring bolts (by others).

Shower unit shall have a powder coat finish from the list of colors on the next page.

Optional marine-grade type 316 stainless steel body (main column, flange, and cap) is available for applications in which the unit's exterior may come into contact with salt water.

Optional mounting kit available for purchase consisting of stainless steel anchors, nuts, washers and rubber gasket washers. If optional kit is not used, stainless steel hardware recommended.



WARNING: Cancer and Reproductive Harm

- www.P65Warnings.ca.gov

visit our website at www.willoughbystainlessfountains.com

5105 West 78th Street • Indianapolis, IN. 46268

(317) 875-0830 • Fax: (317) 875-0837 • (800) 428-4065



MADE IN THE U.S.A.

WSF3-3

MODEL NUMBER AND OPTIONS:

1.) Outdoor Shower Type:

WODS-ADA Outdoor ADA Shower

2.) Approach:

- 1A One-sided Approach- Both ADA and non-ADA showering stations are on the same side of the shower column
- 2A Two-sided Approach*- ADA and non-ADA showering stations are on opposite sides of the shower column

***NOTE:** Foot Shower station will be placed on the same side as the non-ADA shower head.

3.) Foot Showers:

- 0 No Foot Showers
- 1 One (1) Foot Shower

4.) Flow Rates:

- 1.5 GPM (Standard)

5.) Options:

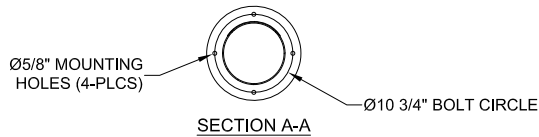
- 316-ODS 316 Stainless Steel Body For Outdoor Shower
- CAR-ODS Surface Carrier For Outdoor Shower (Including mounting hardware)
- JF Jug Filler
- HBE Hose Bibb Exposed
- HBLD Recessed Hose Bibb W/Lock Door
- WSMFK4 4 Bolt Hole Mounting Kit (Not req'd with Carrier option)

6.) Colors (select one):

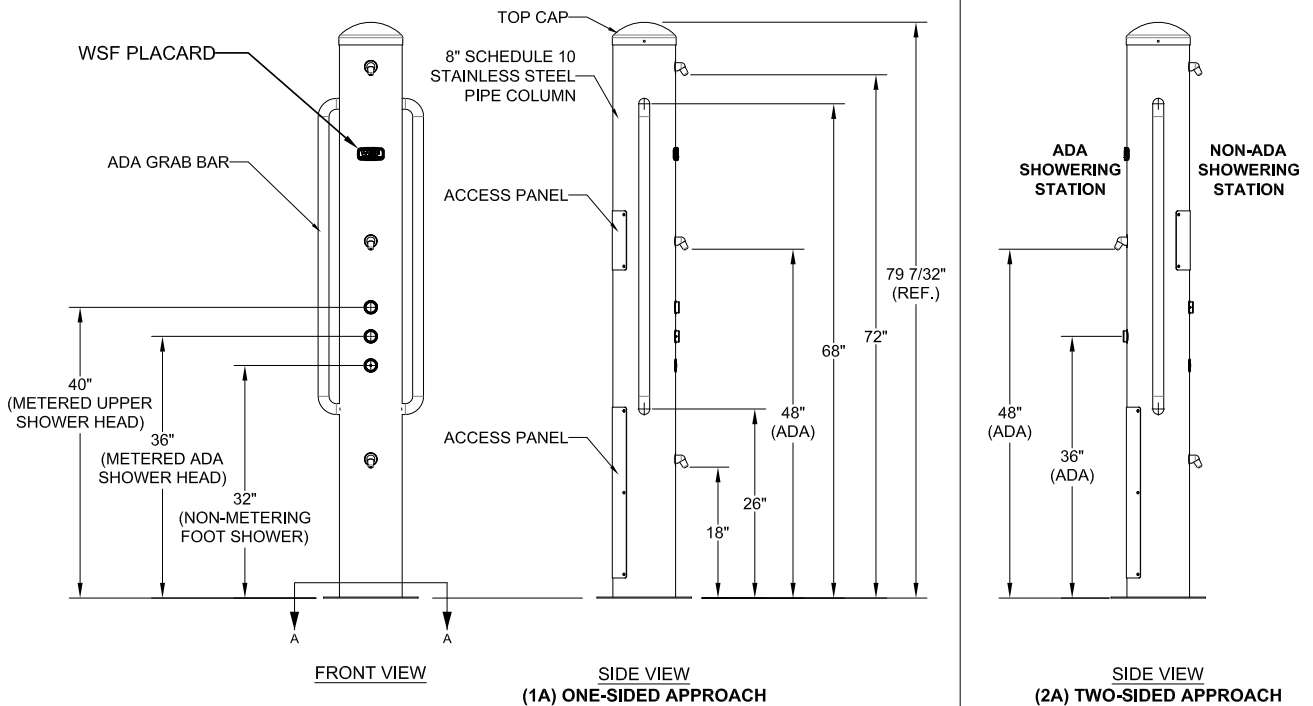
- SL Silver
- G Green
- R Red
- BL Blue
- O Orange
- V Violet
- Y Yellow
- BR Brown
- BK Black
- BE Beige
- W White
- YG Yellow Green
- LBL Light Blue
- GT Graphite (Textured)
- MTW Matte White

Approved For Manufacturing By: _____ Date: _____ Company: _____

Wall Thickness: _____ Wall Type: _____



VERIFY ALL DIMENSIONS WITH FACTORY PRIOR TO ROUGH-IN
 WILLOUGHBY RESERVES THE RIGHT TO MAKE CHANGES IN DESIGN AND DIMENSIONS WITHOUT FORMAL NOTICE AND WITHOUT INCURRING OBLIGATION.



visit our website at www.wiloughbystainlessfountains.com

5105 West 78th Street • Indianapolis, IN. 46268
 (317) 875-0830 • Fax: (317) 875-0837 • (800) 428-4065



MADE IN THE U.S.A.

Willoughby Stainless Fountains



WODFS Series Outdoor Foot Shower

To specify fixture and options, use the Model Number and Options page.

Example: To specify a WODFS outdoor foot shower with 2 foot shower heads, 1.0 GPM flow rate, 316 stainless steel body/cap/flange, in Silver color

Use the following Willoughby Model Number: **WODFS-2-1.0-316-ODS-SL**

Recommended Specifications

Outdoor Foot Shower shall be:

Willoughby Model No. **WODFS-_____**

(Select from model number and options list on next page)

Model **WODFS** outdoor foot shower shall be vandal resistant with a 304 stainless steel 8" Sched. 10 main column and 11 Ga. flange.

Foot shower head(s) shall be activated by recessed mounted solid stainless steel push button assemblies controlling lead-free non-metering valves. Shower unit is easily winterized by turning off the fixture supply line (shut-off valve by others), disconnecting the flexible supply hoses from the valves, and removing the valves from within the body; all valves are secured using a single-point attachment nut.

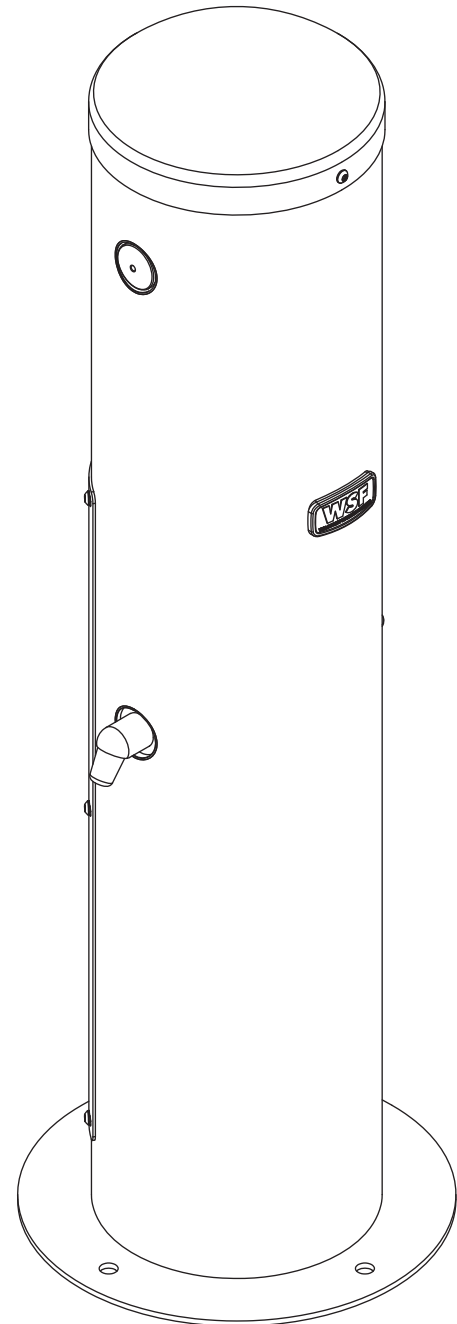
Foot shower head(s) shall be Willoughby all-stainless steel (NPS) non-user adjustable shower heads.

Shower unit shall be factory assembled, tested for proper operation and ready for installation by a contractor. Unit to be anchored using 1/2"-13 anchoring bolts (by others).

Shower unit shall have a powder coat finish from the list of colors on page 2.

Optional marine-grade type 316 stainless steel body (main column, flange, and cap) is available for applications in which the unit's exterior may come into contact with salt water.

Optional mounting kit available for purchase consisting of stainless steel anchors, nuts, washers and rubber gasket washers. If optional kit is not used, stainless steel hardware recommended.



WARNING: Cancer and Reproductive Harm

- www.P65Warnings.ca.gov

visit our website at www.willoughbystainlessfountains.com

5105 West 78th Street • Indianapolis, IN. 46268

(317) 875-0830 • Fax: (317) 875-0837 • (800) 428-4065



MADE IN THE U.S.A.

MODEL NUMBER AND OPTIONS:

1.) Outdoor Shower Type:

WODFS Outdoor Foot Shower

2.) Foot Showers:

1 Single (1) Foot Shower Head
 2 Dual (2) Foot Shower Heads

3.) Flow Rates:

1.0 GPM (Standard)

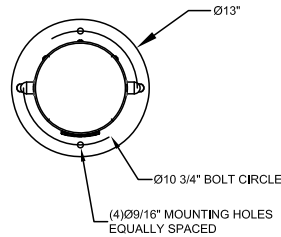
4.) Options:

316-ODS 316 Stainless Steel Body For Outdoor Shower
 HBE Hose Bibb Exposed
 HBLD Recessed Hose Bibb w/Lock Door
 JF Jug Filler
 CAR-ODS Surface Carrier For Outdoor Shower (Including mounting hardware)
 WSFMK4 4 Bolt Hole Mounting Kit (Not req'd with Carrier option)

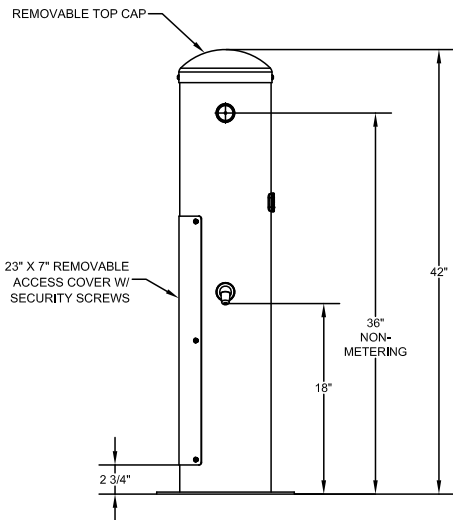
5.) Colors (select one):

SL Silver
 G Green
 R Red
 BL Blue
 O Orange
 V Violet
 Y Yellow
 BR Brown
 BK Black
 BE Beige
 W White
 YG Yellow Green
 LBL Light Blue
 GT Graphite (Textured)
 MTW Matte White

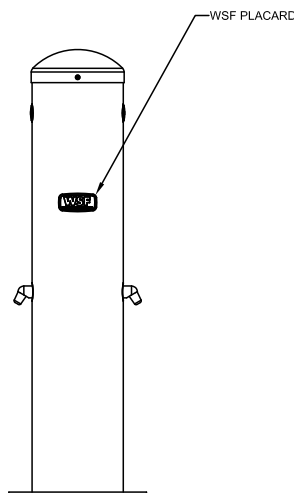
Approved For Manufacturing By: _____ Date: _____ Company: _____
 Wall Thickness: _____ Wall Type: _____



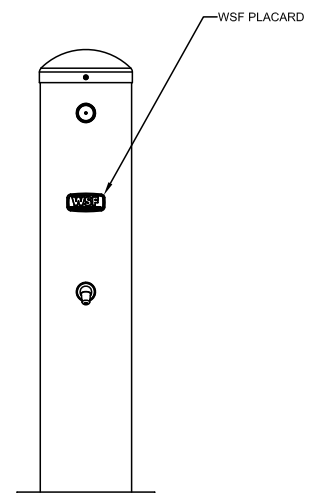
VERIFY ALL DIMENSIONS WITH FACTORY PRIOR TO ROUGH-IN
 WILLOUGHBY RESERVES THE RIGHT TO MAKE CHANGES IN DESIGN AND DIMENSIONS WITHOUT FORMAL NOTICE AND WITHOUT INCURRING OBLIGATION.



**LEFT VIEW
DUAL HEAD**



**FRONT VIEW
DUAL HEAD**



**FRONT VIEW
SINGLE HEAD**

visit our website at www.willoughbystainlessfountains.com

5105 West 78th Street • Indianapolis, IN. 46268
 (317) 875-0830 • Fax: (317) 875-0837 • (800) 428-4065



MADE IN THE U.S.A.

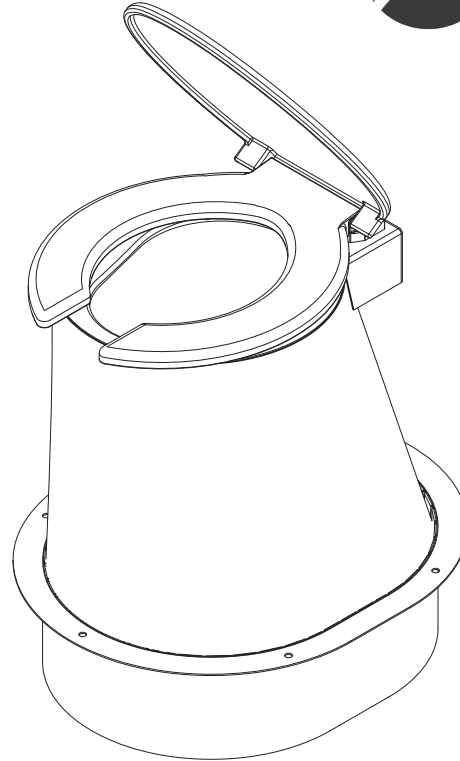
WATERLESS TOILETS

(Page Intentionally Left Blank)

Willoughby Stainless Fountains



WT-2016 Waterless Toilet



To specify fixture and options, use the Model Number and Options page.

Example: To specify a WT-2016 unit with a white hinged plastic seat:

Use the following Willoughby Model Number: WT-2016-HS

Recommended Specifications

Waterless toilet shall be Willoughby Model No. **WT-2016**.

This unit is designed for use in parks, campgrounds, farms and wilderness areas where traditional waste systems are not available. Unit is designed for installation over vented pits. Fixture body shall be fabricated from 18 gauge type 304 stainless steel. Below floor extension is fabricated from 24 gauge type 304 stainless steel.

The construction shall be spot welded with exposed stainless surfaces polished to a #4 finish.

Waterless toilet shall include: 18 gauge stainless steel seat with piano hinge and 1 1/2" wide floor flange with 3/8" anchor holes. Anchoring hardware by others.



WARNING: Cancer and Reproductive Harm

- www.P65Warnings.ca.gov

visit our website at www.willoughbystainlessfountains.com

5105 West 78th Street • Indianapolis, IN. 46268

(317) 875-0830 • Fax: (317) 875-0837 • (800) 428-4065



MADE IN THE U.S.A.

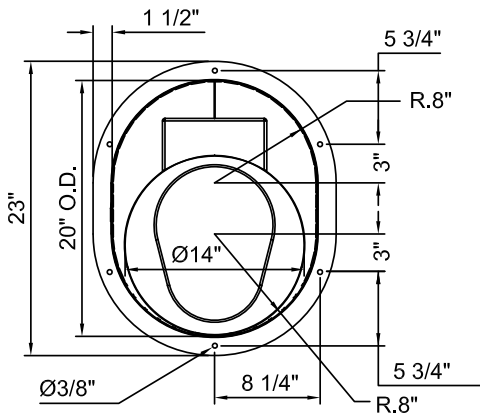
MODEL NUMBER AND OPTIONS:

1.) Options:

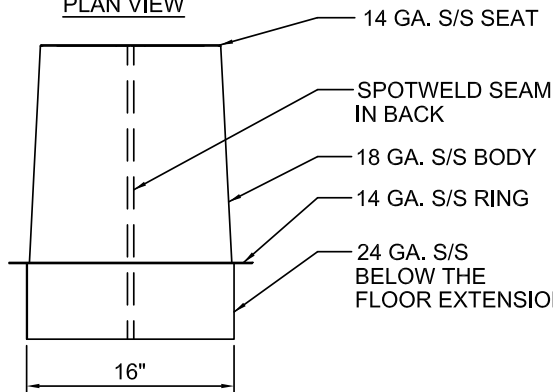
HS Hinged White Plastic Seat

Approved For Manufacturing By: _____ Date: _____ Company: _____
 Wall Thickness: _____ Wall Type: _____

VERIFY ALL DIMENSIONS WITH FACTORY PRIOR TO ROUGH-IN
 WILLOUGHBY RESERVES THE RIGHT TO MAKE CHANGES IN DESIGN AND
 DIMENSIONS WITHOUT FORMAL NOTICE AND WITHOUT INCURRING OBLIGATION.



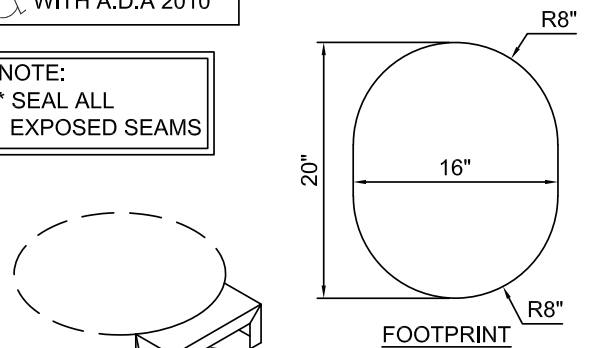
PLAN VIEW



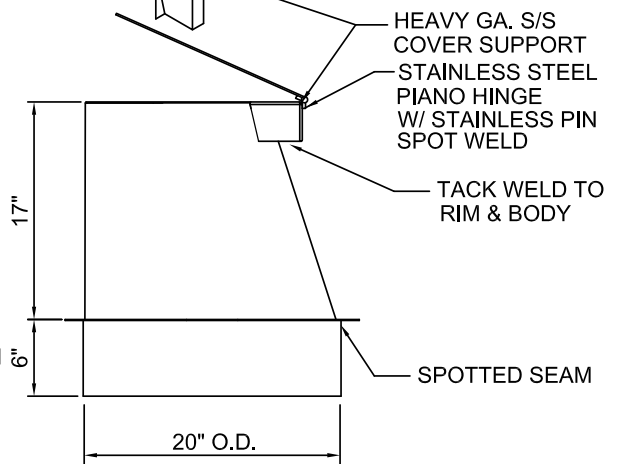
FRONT VIEW

 IN COMPLIANCE WITH A.D.A 2010

NOTE:
* SEAL ALL EXPOSED SEAMS



FOOTPRINT



SIDE VIEW

visit our website at www.wiloughbystainlessfountains.com

5105 West 78th Street • Indianapolis, IN. 46268
 (317) 875-0830 • Fax: (317) 875-0837 • (800) 428-4065



MADE IN THE U.S.A.



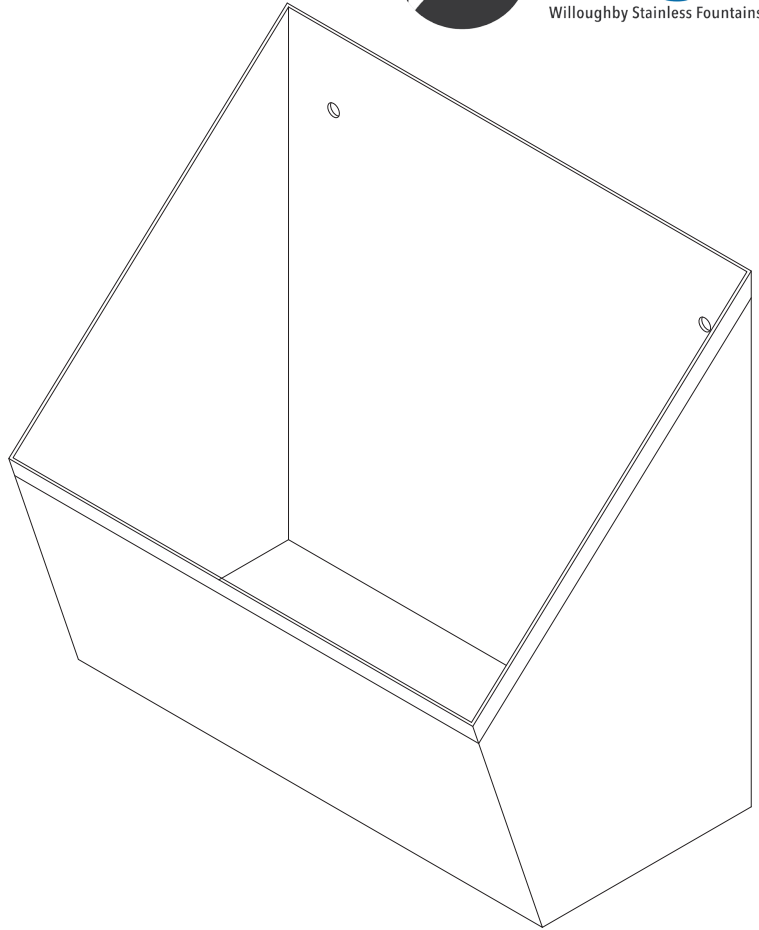
WATERLESS URINALS

(Page Intentionally Left Blank)

Willoughby Stainless Fountains



WU-1010 Single Person Waterless Trough Urinal



Recommended Specifications

Single Person Waterless Trough Urinal shall be:
Willoughby Model No. **WU-1010**
(Select from model number and options list on next page)

Fixture is fabricated from 16 GA., Type 304 stainless steel.
The construction shall be all-welded with exposed stainless
surfaces polished to a #3 satin finish.

Standard equipment shall include:
- Strainer with 1-1/2" M.P.T. pipe nipple

Anchoring shall be from the front, anchoring holes provided.
Anchor hardware by others.

Unit requires no chase area for installation and maintenance.

To specify fixture and accessories, use the Model Number and Options page.
Example: To specify a Single Person Waterless Trough Urinal
Use the following Willoughby Model Number: **WU-1010**



WARNING: Cancer and Reproductive Harm

- www.P65Warnings.ca.gov

visit our website at www.willoughbystainlessfountains.com

5105 West 78th Street • Indianapolis, IN. 46268
(317) 875-0830 • Fax: (317) 875-0837 • (800) 428-4065



MADE IN THE U.S.A.

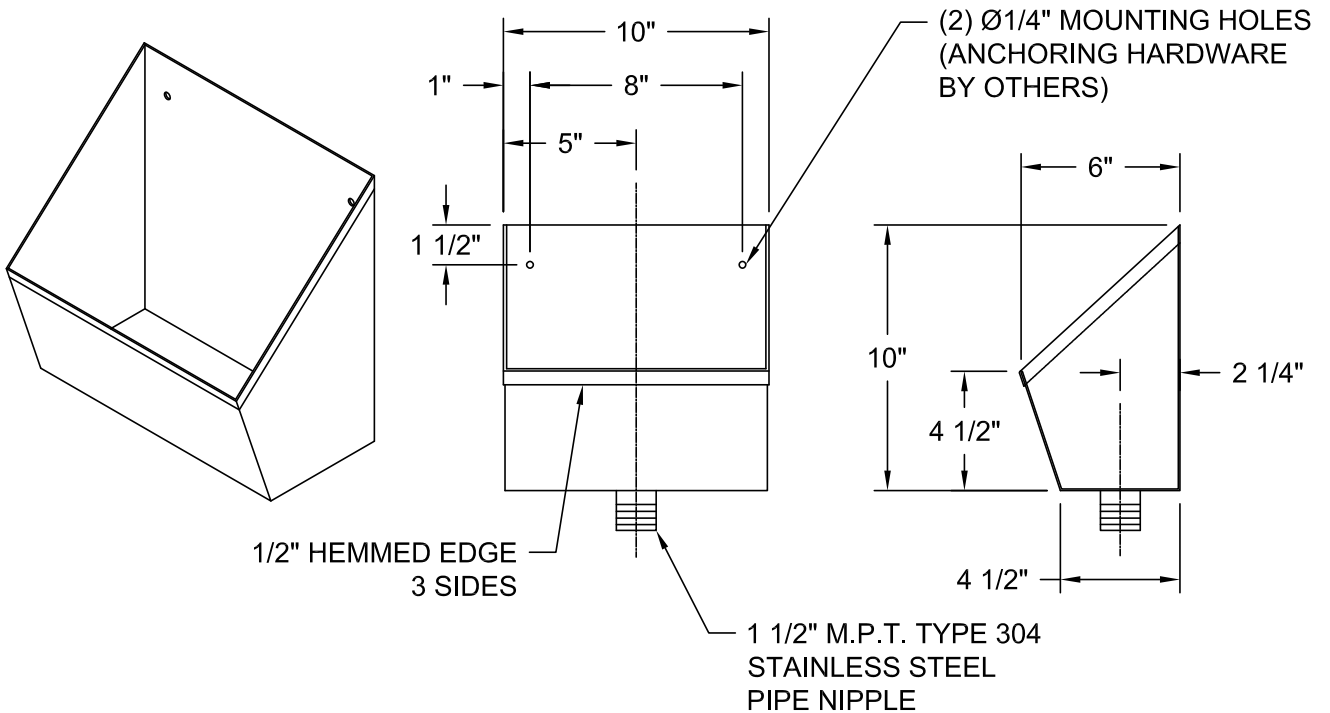
MODEL NUMBER AND OPTIONS:

1.) Base Model Number:

WU-1010 Single Person Waterless Trough Urinal

Approved For Manufacturing By: _____ Date: _____ Company: _____
 Wall Thickness: _____ Wall Type: _____

VERIFY ALL DIMENSIONS WITH FACTORY PRIOR TO ROUGH-IN
 WILLOUGHBY RESERVES THE RIGHT TO MAKE CHANGES IN DESIGN AND DIMENSIONS WITHOUT FORMAL NOTICE AND WITHOUT INCURRING OBLIGATION.



visit our website at www.wiloughbystainlessfountains.com
 5105 West 78th Street • Indianapolis, IN. 46268
 (317) 875-0830 • Fax: (317) 875-0837 • (800) 428-4065

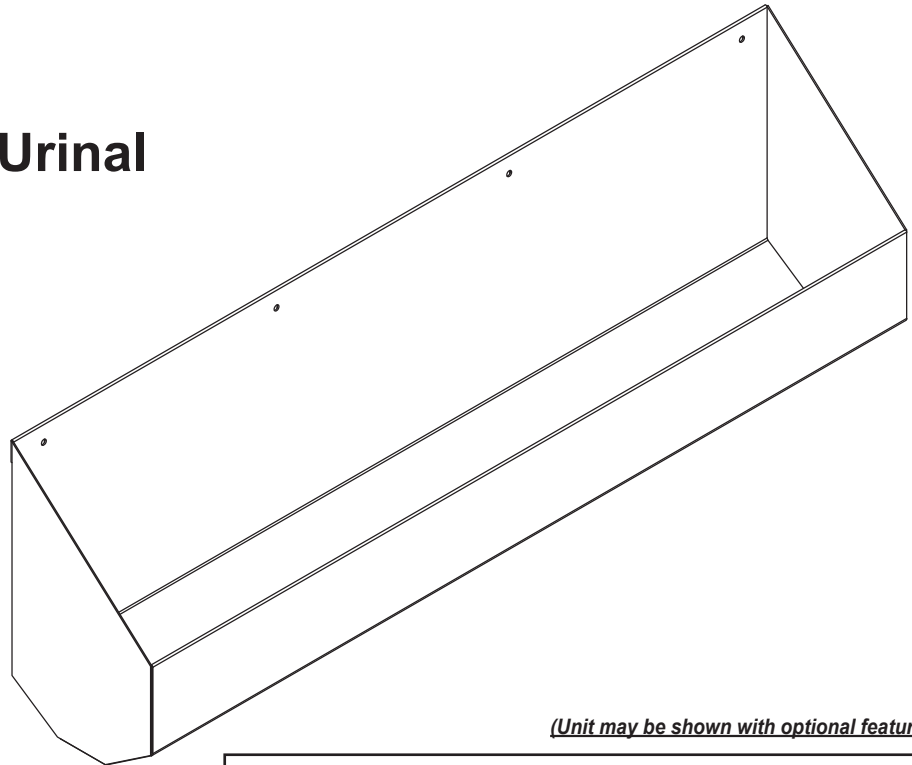


MADE IN THE U.S.A.

Willoughby Stainless Fountains



WWU-1500 Series Stainless Steel Multi-Person Waterless Trough Urinal



(Unit may be shown with optional features)

Recommended Specifications

To specify fixture and accessories, use the Model Number and Options page.

Example: To specify a 36" Stainless Steel, Multi-Person Waterless Trough Urinal

Use the following Willoughby Model Number:

WWU-1536

Stainless Steel, Multi-Person Waterless Trough Urinal shall be:
Willoughby Model No. **WWU-15**____
(Select from model number and options list on next page)

Fixture is fabricated from 14 GA., Type 304 stainless steel. The construction shall be all-welded with exposed stainless surfaces polished to a #4 satin finish.

Standard equipment shall include:

- Beehive strainer with Ø1-1/2", 2" long tailpiece

Anchoring shall be from the front, anchoring holes provided.
Anchor hardware by others.

Unit requires no chase area for installation and maintenance.



WARNING: Cancer and Reproductive Harm

- www.P65Warnings.ca.gov

visit our website at www.willoughbystainlessfountains.com

5105 West 78th Street • Indianapolis, IN. 46268

(317) 875-0830 • Fax: (317) 875-0837 • (800) 428-4065



MADE IN THE U.S.A.

MODEL NUMBER AND OPTIONS:

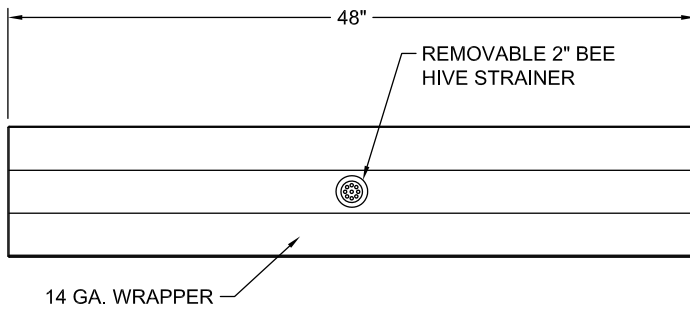
1.) Base Model Number:

- WWU-1536 36" Stainless Steel, Multi-Person, Waterless Trough Urinal
- WWU-1548 48" Stainless Steel, Multi-Person, Waterless "
- WWU-1560 60" Stainless Steel, Multi-Person, Waterless "
- WWU-1572 72" Stainless Steel, Multi-Person, Waterless "
- WWU-1596 96" Stainless Steel, Multi-Person, Waterless "

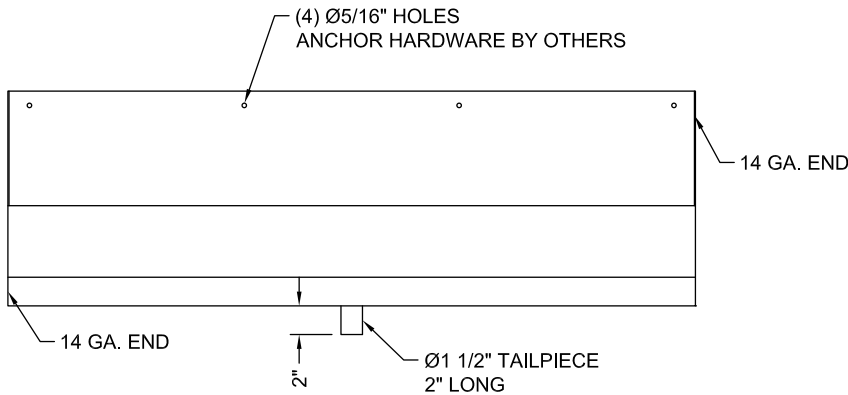
2.) Options:

- BKSPL36 36" x 36" 14 GA. Stainless Steel Backsplash
- BKSPL48 36" x 48" 14 GA. "
- BKSPL60 36" x 60" 14 GA. "
- BKSPL72 36" x 72" 14 GA. "
- BKSPL96 36" x 96" 14 GA. "
- Other _____
- Other _____

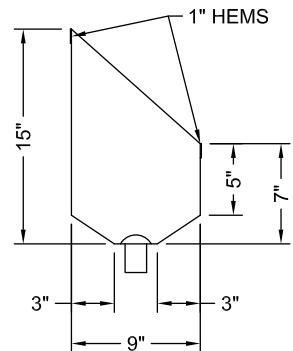
Approved For Manufacturing By: _____ Date: _____ Company: _____
 Wall Thickness: _____ Wall Type: _____



PLAN VIEW



FRONT VIEW



SIDE VIEW

VERIFY ALL DIMENSIONS WITH FACTORY PRIOR TO ROUGH-IN
 WILLOUGHBY RESERVES THE RIGHT TO MAKE CHANGES IN DESIGN AND DIMENSIONS WITHOUT FORMAL NOTICE AND WITHOUT INCURRING OBLIGATION.

visit our website at www.willoughbystainlessfountains.com

5105 West 78th Street • Indianapolis, IN. 46268
 (317) 875-0830 • Fax: (317) 875-0837 • (800) 428-4065



MADE IN THE U.S.A.

© Rev. 6/2021



OUTDOOR HAND SANITIZER STATION



(Page Intentionally Left Blank)

Willoughby Stainless Fountains

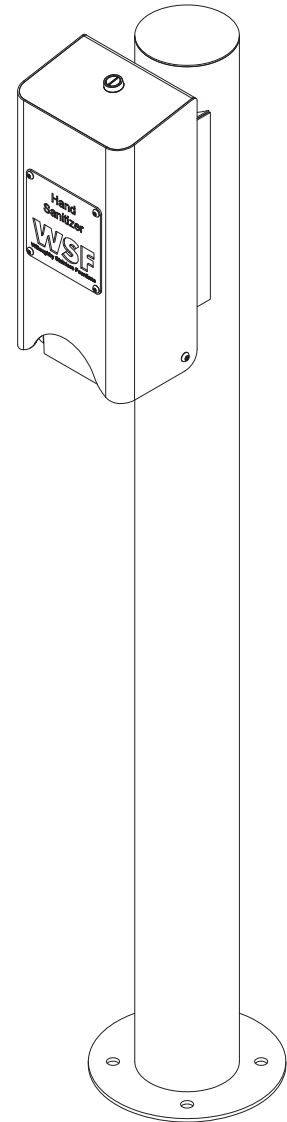


WOHS Hand Sanitizer Station

To specify fixture and options, use the Model Number and Options page.

Example: To specify a WOHS-1 Single Hand Sanitizer Station in Silver color

Use the following Willoughby Model Number: WOHS-1-SL



Recommended Specifications

Willoughby Model **WOHS-** Hand Sanitizer Station is a vandal resistant Hand Sanitizer Station with Type 304 stainless steel 4-1/2" Schedule-40 main column and 7 GA. flange. Protective hinged sanitizer dispenser box is fabricated from 14 GA. stainless steel. A keyed lock in the top allows for easy access for sanitizer cartridge replacement.

Fixture uses industry standard and commercially available replacement cartridge.

Optional mounting kit available for purchase consisting of stainless steel anchors, nuts, washers and rubber gasket washers. If optional kit is not used, stainless steel hardware recommended.

Standard Features

- * Heavy duty Type 304 stainless steel 4-1/2" Schedule-40 main column and 7 GA. flange
- * Optional marine-grade Type 316 stainless steel body for installations near salt water
- * Resistant to sunlight, heat, and vandalism
- * Hinged 14ga. sanitizer dispenser box
- * Powder coat finish (color options on page 2)
- * Unit is shipped with one cartridge of hand sanitizer



WARNING: Cancer and Reproductive Harm

- www.P65Warnings.ca.gov

visit our website at www.willoughbystainlessfountains.com

5105 West 78th Street • Indianapolis, IN. 46268

(317) 875-0830 • Fax: (317) 875-0837 • (800) 428-4065



MADE IN THE U.S.A.

MODEL NUMBER AND OPTIONS:

1.) Hand Sanitizer Station Type:

- WOHS-1 Single Hand Sanitizer Station
- WOHS-2 Dual Hand Sanitizer Station

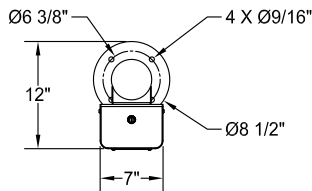
3.) Options:

- 316-1 316 Stainless Steel Body
- WSFMK4 4 Bolt Hole Mounting Kit (Not req'd with Carrier option)
- CAR-1 Surface Carrier, Single (Including mounting hardware)

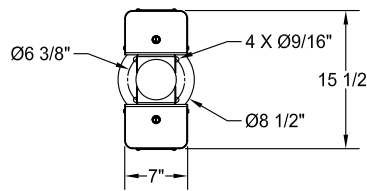
2.) Colors (select one):

- SL Silver
- G Green
- R Red
- BL Blue
- O Orange
- V Violet
- Y Yellow
- BR Brown
- BK Black
- BE Beige
- W White
- YG Yellow Green
- LBL Light Blue
- GT Graphite (Textured)
- MTW Matte White

Approved For Manufacturing By: _____ Date: _____ Company: _____
 Wall Thickness: _____ Wall Type: _____



WOHS-1

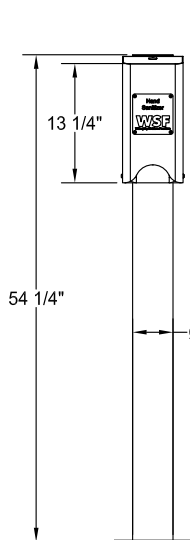


WOHS-2

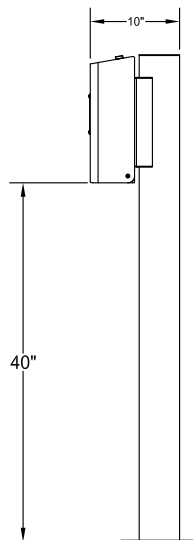


WOHS-1

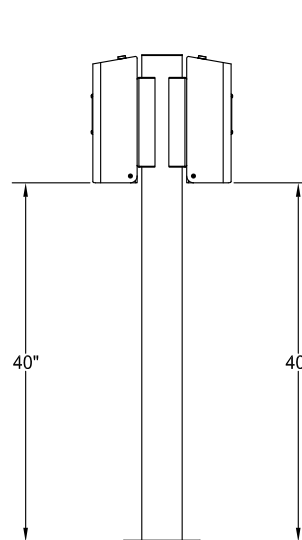
VERIFY ALL DIMENSIONS WITH FACTORY PRIOR TO ROUGH-IN
 WILLOUGHBY RESERVES THE RIGHT TO MAKE CHANGES IN DESIGN AND
 DIMENSIONS WITHOUT FORMAL NOTICE AND WITHOUT INCURRING OBLIGATION.



WOHS-1 &
WOHS-2



WOHS-1



WOHS-2

visit our website at www.willoughbystainlessfountains.com

5105 West 78th Street • Indianapolis, IN. 46268
 (317) 875-0830 • Fax: (317) 875-0837 • (800) 428-4065



MADE IN THE U.S.A.

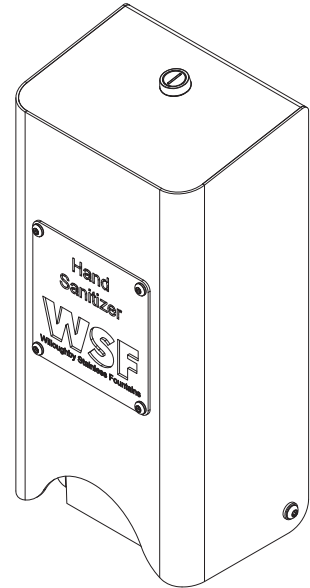
Willoughby Stainless Fountains



WOHS-WM Wall mounted Hand Sanitizer Station

To specify fixture and options, use the Model Number and Options page.

Example: To specify a WOHS-WM Wall Mounted Hand Sanitizer Station in Silver color
Use the following Willoughby Model Number: WOHS-WM-SL



Recommended Specifications

Willoughby Model **WOHS-WM** Wall Mounted Hand Sanitizer Station is a vandal resistant Hand Sanitizer Station with protective hinged sanitizer dispenser box is fabricated from 14 GA. stainless steel. A keyed lock in the top allows for easy access for sanitizer cartridge replacement. Mounting hardware by others.

Fixture uses industry standard and commercially available replacement cartridge.

Standard Features

- * Optional marine-grade Type 316 stainless steel body for installations near salt water
- * Resistant to sunlight, heat, and vandalism
- * Hinged 14ga. sanitizer dispenser box
- * Powder coat finish (color options on page 2)
- * Unit is shipped with one cartridge of hand sanitizer



WARNING: Cancer and Reproductive Harm

- www.P65Warnings.ca.gov

visit our website at www.willoughbystainlessfountains.com

5105 West 78th Street • Indianapolis, IN. 46268
(317) 875-0830 • Fax: (317) 875-0837 • (800) 428-4065



MADE IN THE U.S.A.

MODEL NUMBER AND OPTIONS:

1.) Hand Sanitizer Station Type:

- WOHS-WM Wall Mounted, Hand Sanitizer Station

2.) Colors (select one):

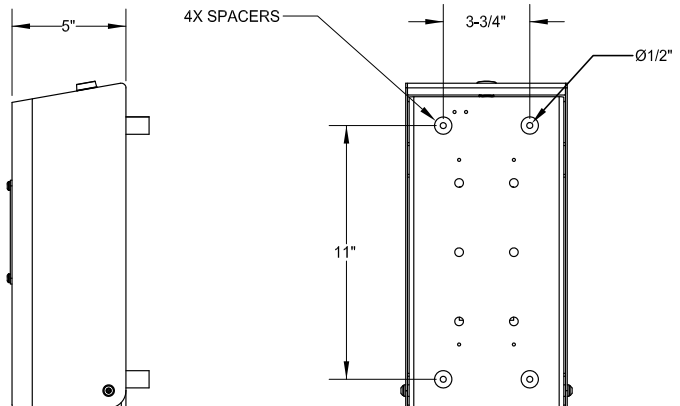
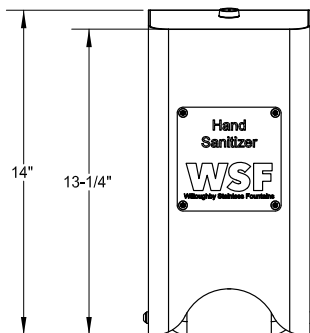
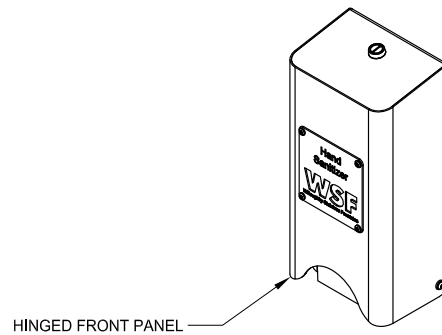
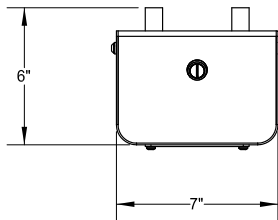
- SL Silver
 G Green
 R Red
 BL Blue
 O Orange
 V Violet
 Y Yellow
 BR Brown
 BK Black
 BE Beige
 W White
 YG Yellow Green
 LBL Light Blue
 GT Graphite (Textured)
 MTW Matte White

3.) Options:

- 316-1 316 Stainless Steel Body

Approved For Manufacturing By: _____ Date: _____ Company: _____
 Wall Thickness: _____ Wall Type: _____

VERIFY ALL DIMENSIONS WITH FACTORY PRIOR TO ROUGH-IN
 WILLOUGHBY RESERVES THE RIGHT TO MAKE CHANGES IN DESIGN AND
 DIMENSIONS WITHOUT FORMAL NOTICE AND WITHOUT INCURRING OBLIGATION.



visit our website at www.willoughbystainlessfountains.com

5105 West 78th Street • Indianapolis, IN. 46268
 (317) 875-0830 • Fax: (317) 875-0837 • (800) 428-4065



MADE IN THE U.S.A.



OUTDOOR FRONT APPROACH DRINKING FOUNTAIN



(Page Intentionally Left Blank)

Willoughby Stainless Fountains



WODF-2FA Series Outdoor Drinking Fountain Front Approach

Recommended Specifications

Willoughby Model **WODF-2FA** outdoor drinking fountain, front approach is a dual-level, vandal resistant drinking fountain with Type 304 stainless steel 10" Schedule-10 main column and 7 GA. flange.

Fountain shall have high-polished, 18 GA. stainless steel bowls with anti-rotation, anti-squirt, solid stainless steel bubblers. Bubblers shall be activated by pedestal mounted solid stainless steel push button assemblies, which control lead-free, self-closing valves.

Push buttons shall require less than 5 lbs. of force to operate. Push buttons shall be adjustable to ensure adequate flow without being wasteful. **WODF-2FA** fountain shall be lead-free, adhering to ANSI/NSF 61, Section 9, ANSI A117.1. Fixtures in (HC) and (CHD) configurations shall meet American Disabilities Act of 2010 (ADA) compliance requirements.

Optional mounting kit available for purchase consisting of stainless steel anchors, nuts, washers and rubber gasket washers. If optional kit is not used, stainless steel hardware recommended.

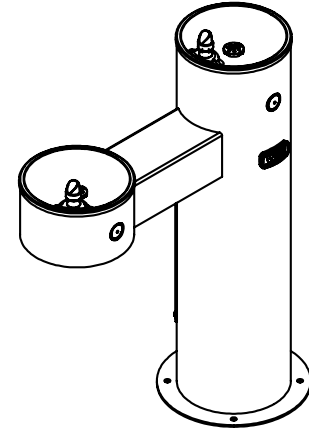
Standard Features

- * Adult ADA and Child (JR.) ADA compliant fixture configurations available
- * Heavy duty Type 304 stainless steel 10" Schedule-10 main column and 7 GA. flange
- * Optional marine-grade Type 316 stainless steel body for installations near salt water
- * High polished stainless steel bowls
- * Solid stainless steel, anti-rotation bubblers
- * Serviceable mesh strainer on inlet water supply
- * Heavy-duty main column access panel
- * Resistant to sunlight, heat and vandalism
- * Stainless steel adjustable push buttons
- * Powder coat finish (color options on page 2)

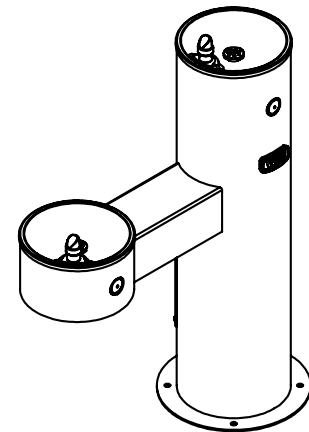
To specify fixture and color, use the Model Number and Options Guide.

Example: To specify a WODF-2FA outdoor drinking fountain with Child-height (JR. ADA) bowl, in Green color

Use the following Willoughby Model Number: **WODF-2FA-CHD-G**



WODF-2FA-HC



WODF-2FA-CHD



WARNING: Cancer and Reproductive Harm

- www.P65Warnings.ca.gov

visit our website at www.willoughbystainlessfountains.com

5105 West 78th Street • Indianapolis, IN. 46268

(317) 875-0830 • Fax: (317) 875-0837 • (800) 428-4065



MADE IN THE U.S.A.

MODEL NUMBER AND OPTIONS:

1.) Outdoor Drinking Fountain Type:

WODF-2FA Two-bowl Outdoor Drinking Fountain, Front Approach

2.) Bowl Height (other than main column bowl):

HC Adult ADA Compliant
 CHD Child (JR. ADA Compliant)

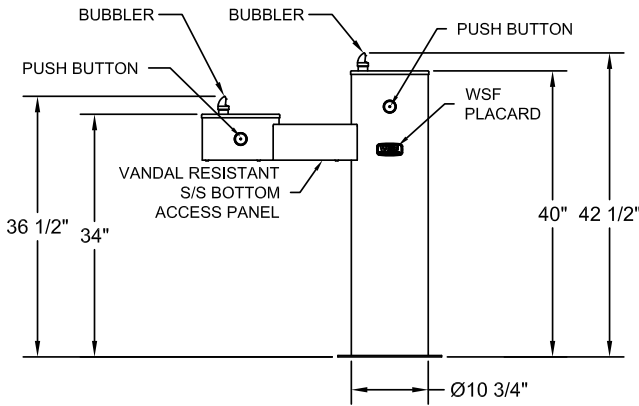
3.) Options:

316-2 316 Stainless Steel Body, Double
 CAR-1 Surface Carrier, Single (Including mounting hardware)
 SOV Shut Off Valve
 SCV Seasonal Bowl Covers (2)
 JF Jug Filler
 HBE Hose Bibb Exposed
 HBLD Recessed Hose Bibb w/ Lock Door
 HH Hose / Leash Hanger
 FW Foot Wash
 WSFMK4 4 Bolt Hole Mounting Kit (Not req'd with Carrier option)

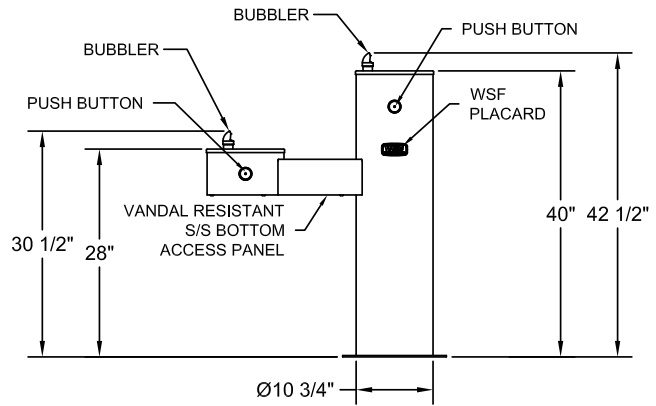
4.) Colors (select one):

SL Silver
 G Green
 R Red
 BL Blue
 O Orange
 V Violet
 Y Yellow
 BR Brown
 BK Black
 BE Beige
 W White
 YG Yellow Green
 LBL Light Blue
 GT Graphite (Textured)
 MTW Matte White

Approved For Manufacturing By: _____ Date: _____ Company: _____
 Wall Thickness: _____ Wall Type: _____

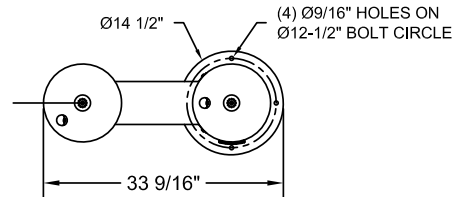


WODF-2-HC



WODF-2-CHD

Note: Access panel is on back side of unit.



WODF-2-HC &
WODF-2-CHD

VERIFY ALL DIMENSIONS WITH FACTORY PRIOR TO ROUGH-IN
 WILLOUGHBY RESERVES THE RIGHT TO MAKE CHANGES IN DESIGN AND DIMENSIONS WITHOUT FORMAL NOTICE AND WITHOUT INCURRING OBLIGATION.

visit our website at www.willoughbystainlessfountains.com

5105 West 78th Street • Indianapolis, IN. 46268
 (317) 875-0830 • Fax: (317) 875-0837 • (800) 428-4065



MADE IN THE U.S.A.

Willoughby Stainless Fountains



WODF-3FA Series Outdoor Drinking Fountain Front Approach

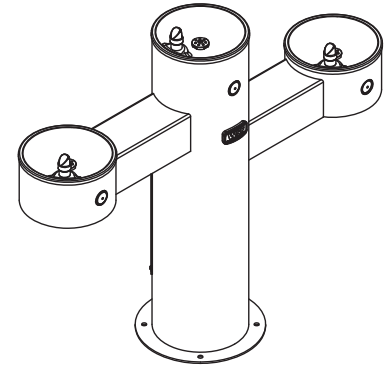
Recommended Specifications

Willoughby Model **WODF-3FA** outdoor drinking fountain, front approach is a triple-level, vandal resistant drinking fountain with Type 304 stainless steel 10" Schedule-10 main column and 7 GA. flange.

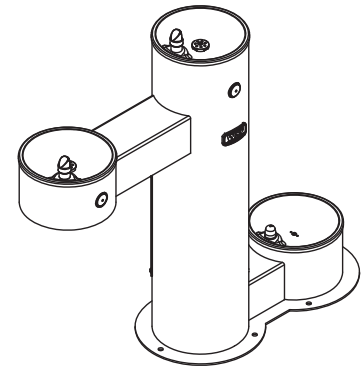
Fountain shall have high-polished, 18 GA. stainless steel bowls with anti-rotation, anti-squirt, solid stainless steel bubblers. Bubblers shall be activated by pedestal mounted solid stainless steel push button assemblies, which control lead-free, self-closing valves.

Push buttons shall require less than 5 lbs. of force to operate. Push buttons shall be adjustable to ensure adequate flow without being wasteful. **WODF-3FA** fountain shall be lead-free, adhering to ANSI/NSF 61, Section 9, ANSIA117.1. Fixtures in (HC) and (CHD) configurations shall meet American Disabilities Act of 2010 (ADA) compliance requirements.

Optional mounting kit available for purchase consisting of stainless steel anchors, nuts, washers and rubber gasket washers. If optional kit is not used, stainless steel hardware recommended.



WODF-3FA-HC-CHD



WODF-3FA-HC-PET
(SIDE PET LOCATION)

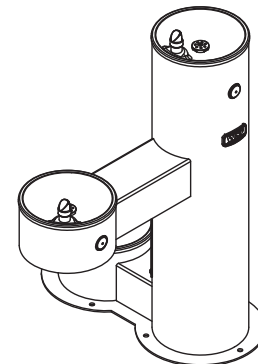
Standard Features

- * Adult ADA and Child (JR.) ADA compliant fixture configurations available
- * Heavy duty Type 304 stainless steel 10" Schedule-10 main column and 7 GA. flange
- * Optional marine-grade Type 316 stainless steel body for installations near salt water
- * High polished stainless steel bowls
- * Solid stainless steel, anti-rotation bubblers
- * Serviceable mesh strainer on inlet water supply
- * Heavy-duty main column access panel
- * Resistant to sunlight, heat and vandalism
- * Stainless steel adjustable push buttons
- * Powder coat finish (color options on page 2)

To specify fixture and color, use the Model Number and Options Guide.

Example: To specify a WODF-3FA outdoor drinking fountain with Adult ADA and Child-height (JR. ADA) bowls, in Red color

Use the following Willoughby Model Number: **WODF-3FA-HC-CHD-R**



WODF-3FA-CHD-PET
(REAR PET LOCATION)



WARNING: Cancer and Reproductive Harm

- www.P65Warnings.ca.gov

visit our website at www.willoughbystainlessfountains.com

5105 West 78th Street • Indianapolis, IN. 46268
(317) 875-0830 • Fax: (317) 875-0837 • (800) 428-4065



MADE IN THE U.S.A.

MODEL NUMBER AND OPTIONS:

1.) Outdoor Drinking Fountain Type:

- WODF-3FA Three-bowl Outdoor Drinking Fountain, Front Approach

2.) Bowl Height (other than main column bowl, select two):

- HC Adult ADA Compliant
 CHD Child (JR. ADA Compliant)
 PET Pet Bowl
 Side Rear

3.) Options:

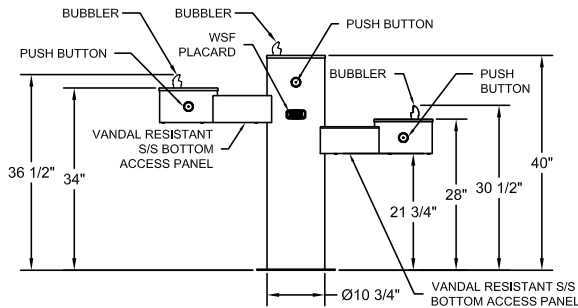
- 316-3 316 Stainless Steel Body, Triple
 CAR-1 Surface Carrier, Single (Including mounting hardware)
 CAR-2 Surface Carrier, Double (Including mounting hardware)
 SOV Shut Off Valve
 SCV Seasonal Bowl Covers (3)
 JF Jug Filler
 HBE Hose Bibb Exposed
 HBLD Recessed Hose Bibb W/Lock Door
 HH Hose / Leash Hanger
 FW Foot Wash
 WSFMK4 4 Bolt Hole Mounting Kit (Not req'd with Carrier option)
 WSFMK6 6 Bolt Hole Mounting Kit (Not req'd with Carrier option)

4.) Colors (select one):

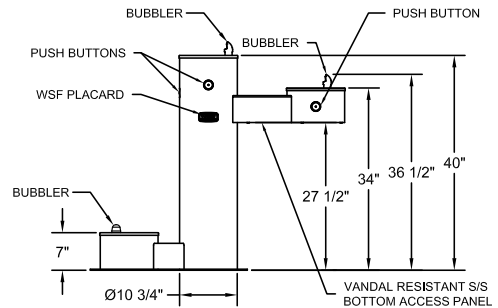
- SL Silver
 G Green
 R Red
 BL Blue
 O Orange
 V Violet
 Y Yellow
 BR Brown
 BK Black
 BE Beige
 W White
 YG Yellow Green
 LBL Light Blue
 GT Graphite (Textured)
 MTW Matte White

Approved For Manufacturing By: _____ Date: _____ Company: _____

Wall Thickness: _____ Wall Type: _____

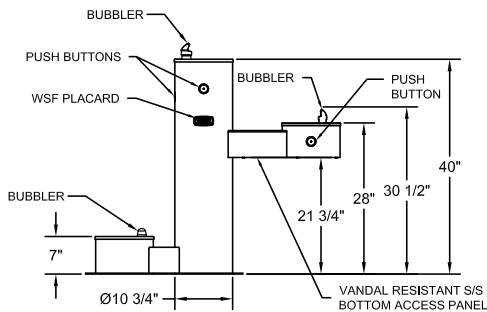


WODF-3FA-HC-CHD

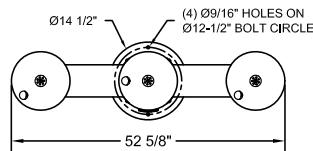


WODF-3FA-HC-PET

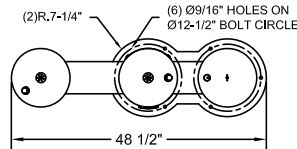
Note: Access panel is on back side of unit.



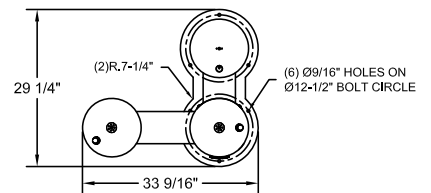
WODF-3FA-CHD-PET



WODF-3FA-HC-CHD



WODF-3FA-HC-PET & WODF-3FA-CHD-PET (SIDE PET LOCATION)



WODF-3FA-HC-PET & WODF-3FA-CHD-PET (REAR PET LOCATION)

VERIFY ALL DIMENSIONS WITH FACTORY PRIOR TO ROUGH-IN
WILLOUGHBY RESERVES THE RIGHT TO MAKE CHANGES IN DESIGN AND DIMENSIONS WITHOUT FORMAL NOTICE AND WITHOUT INCURRING OBLIGATION.

visit our website at www.wiloughbystainlessfountains.com

5105 West 78th Street • Indianapolis, IN. 46268

(317) 875-0830 • Fax: (317) 875-0837 • (800) 428-4065



MADE IN THE U.S.A.

© Rev. 10/2022



OUTDOOR FRONT APPROACH BOTTLE FILLERS



(Page Intentionally Left Blank)

Willoughby Stainless Fountains



CWBF-2FA Series Outdoor Bottle Filler Front Approach w/Drinking Fountain

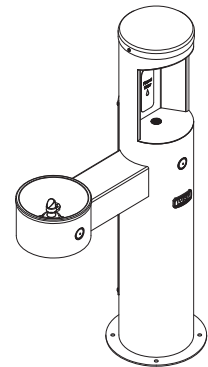
To specify fixture and options, use the Model Number and Options page.

Example: To specify a CWBF-2FA outdoor bottle filler with drinking fountain with recessed pushbutton, child drinking fountain bowl height, and 316 stainless steel body/cap/flange in Blue color,

Use the following Willoughby Model Number: CWBF-2FA-RPB-CHD-316-BL

Standard Features

- * Adult and Child A.D.A. compliant
- * Compliant to ADA reach height guidelines
- * Quick, 1-gallon-per-minute bottle fill rate
- * One-piece fully-welded construction
- * Standard heavy duty type 304 stainless steel 8" Sched. 10 main column and 11 Ga. flange
- * Optional marine-grade type 316 stainless steel body for installations near salt water
- * Solid stainless steel vandal resistant anti-rotation bottle filler spout
- * Solid stainless steel, anti-rotation drinking fountain bubbler
- * High polished stainless steel bowl
- * Replaceable in-line charcoal filter on inlet water supply
- * Heavy-duty main column access panels
- * Resistant to sunlight, heat, and vandalism
- * Promotes use of environmentally friendly refillable bottles, reducing use of disposable bottles
- * Powder coat finish (color options on page 2)



CWBF-2FA-RPB-HC

Recommended Specifications

Outdoor bottle filler, front approach, with drinking fountain shall be Willoughby Model No. **CWBF-2FA-___** (see Model Number and Options guide for actuator selection).

Model **CWBF-2FA** outdoor bottle filler, front approach, with drinking fountain shall be a dual-level, vandal resistant drinking fountain with 304 stainless steel 8" Sched. 10 main column and 11 Ga. flange.

Bottle filler spout and fountain bubbler shall be activated by separate recessed mounted solid stainless steel pushbutton assemblies (optional battery operated infrared activation available for bottle filler spout).

Drinking fountain shall have high-polished, 18 gauge stainless steel bowl with anti-rotation, anti-squirt, solid stainless steel bubblers.

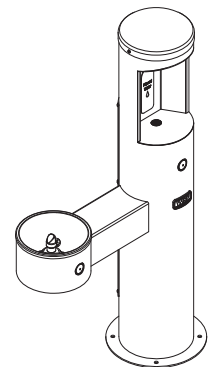
All pushbuttons control lead-free, self-closing valves. Pushbutton operation shall require less than 5 lbs. of force.

Flow controls are used to ensure adequate flow without being wasteful. Bottle filler flows 1.0 GPM, drinking fountain flows 0.5 GPM.

Model **CWBF-2FA** fountain shall be lead-free, adhering to ANSI/NSF 61, Section 9, ANSI A117.1 and American Disabilities Act of 2010 requirements.

Optional 316 stainless steel body (main column, flange, and cap) are available for applications in which the unit's exterior may come into contact with salt water.

Optional mounting kit available for purchase consisting of stainless steel anchors, nuts, washers and rubber gasket washers. If optional kit is not used, stainless steel hardware recommended.



CWBF-2FA-RPB-CHD



WARNING: Cancer and Reproductive Harm

- www.P65Warnings.ca.gov

visit our website at www.willoughbystainlessfountains.com

5105 West 78th Street • Indianapolis, IN. 46268
(317) 875-0830 • Fax: (317) 875-0837 • (800) 428-4065



MADE IN THE U.S.A.

MODEL NUMBER AND OPTIONS:

1.) Outdoor Bottle Filler Type:

- CWBF-2FA 1 Outdoor Bottle Filler, Front Approach, and 1 Drinking Fountain Bowl

2.) Bottle Filler Actuator Options (select one):

- RPB Recessed Push Button
 BO Battery Operated Infrared Sensor

3.) Drinking Fountain Bowl Height (select one):

- HC Adult A.D.A.
 CHD Child

4.) Options:

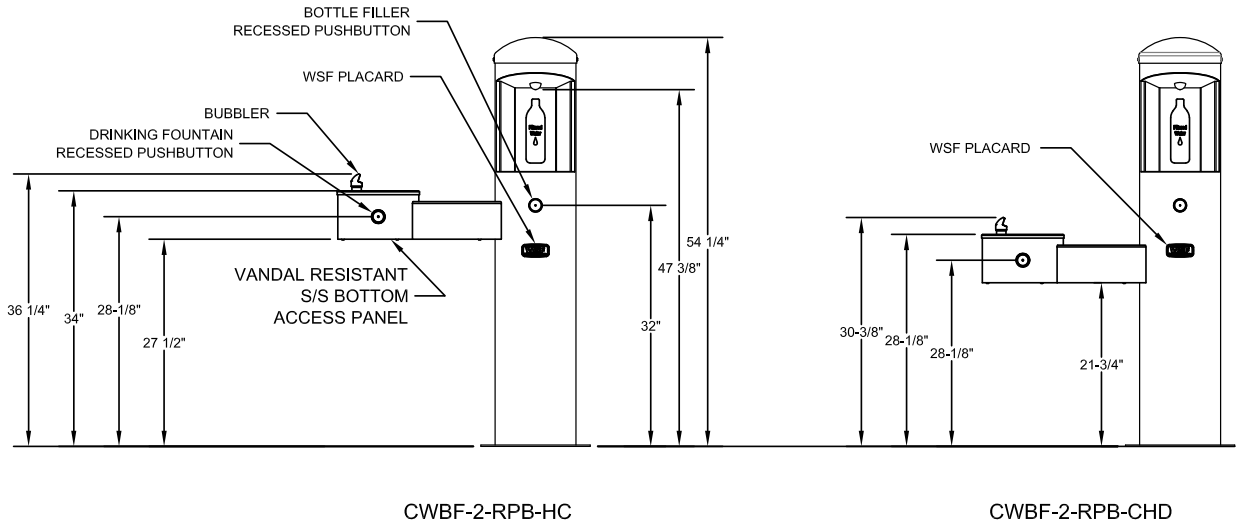
- 316-2 316 Stainless Steel Body, Double
 CAR-1 Surface Carrier, Single (Including mounting hardware)
 JF Jug Filler
 HBE Hose Bibb Exposed
 HBLD Recessed Hose Bibb W/Lock Door
 HH Hose / Leash Hanger
 FW Foot Wash
 SOV Shut Off Valve
 SCV Seasonal Bowl Cover (1)
 WSMK44 Bolt Hole Mounting Kit (Not req'd with Carrier option)

5.) Colors (select one):

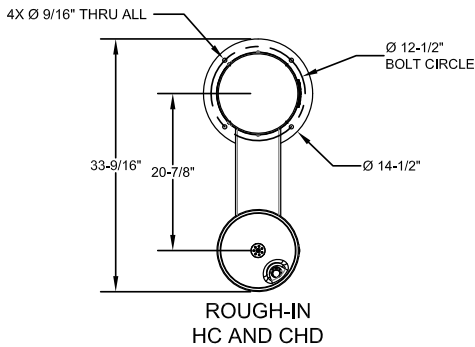
- SL Silver
 G Green
 R Red
 BL Blue
 O Orange
 V Violet
 Y Yellow
 BR Brown
 BK Black
 BE Beige
 W White
 YG Yellow Green
 LBL Light Blue
 GT Graphite (Textured)
 MTW Matte White

Approved For Manufacturing By: _____ Date: _____ Company: _____
 Wall Thickness: _____ Wall Type: _____

VERIFY ALL DIMENSIONS WITH FACTORY PRIOR TO ROUGH-IN
 WILLOUGHBY RESERVES THE RIGHT TO MAKE CHANGES IN DESIGN AND DIMENSIONS WITHOUT FORMAL NOTICE AND WITHOUT INCURRING OBLIGATION.



Note: Access panel is on back side of unit.



visit our website at www.wiloughbystainlessfountains.com
 5105 West 78th Street • Indianapolis, IN. 46268
 (317) 875-0830 • Fax: (317) 875-0837 • (800) 428-4065



MADE IN THE U.S.A.

Willoughby Stainless Fountains



CWBF-3FA Series Outdoor Bottle Filler Front Approach w/Drinking Fountain

To specify fixture and options, use the Model Number and Options page.

Example: To specify a CWBF-3FA outdoor bottle filler with drinking fountain with recessed pushbutton, child drinking fountain bowl height, pet drinking fountain, and 316 stainless steel body/cap/flange in Blue color,

Use the following Willoughby Model Number: CWBF-3FA-RPB-CHD-PET-316-BL

Standard Features

- * Adult and Child A.D.A. compliant
- * Compliant to ADA reach height guidelines
- * Quick, 1-gallon-per-minute bottle fill rate
- * One-piece fully-welded construction
- * Standard heavy duty type 304 stainless steel 8" Sched. 10 main column and 11 Ga. flange
- * Optional marine-grade type 316 stainless steel body for installations near salt water
- * Solid stainless steel vandal resistant anti-rotation bottle filler spout
- * Solid stainless steel, anti-rotation drinking fountain bubbler
- * High polished stainless steel bowl
- * Replaceable in-line charcoal filter on inlet water supply
- * Heavy-duty main column access panels
- * Resistant to sunlight, heat, and vandalism
- * Promotes use of environmentally friendly refillable bottles, reducing use of disposable bottles
- * Powder coat finish (color options on page 2)

Recommended Specifications

Outdoor bottle filler, front approach, with drinking fountain shall be Willoughby Model No. **CWBF-3FA-___** (see Model Number and Options guide for actuator selection).

Model **CWBF-3FA** outdoor bottle filler, front approach, with drinking fountain shall be a triple-level, vandal resistant drinking fountain with 304 stainless steel 8" Sched. 10 main column and 11 Ga. flange.

Bottle filler spout and fountain bubbler shall be activated by separate recessed mounted solid stainless steel pushbutton assemblies (optional battery operated infrared activation available for bottle filler spout).

Drinking fountain shall have high-polished, 18 gauge stainless steel bowl with anti-rotation, anti-squirt, solid stainless steel bubblers.

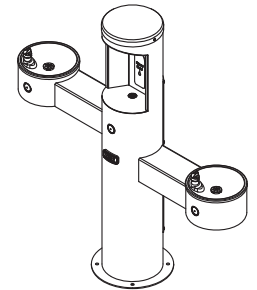
All pushbuttons control lead-free, self-closing valves. Pushbutton operation shall require less than 5 lbs. of force.

Flow controls are used to ensure adequate flow without being wasteful. Bottle filler flows 1.0 GPM, drinking fountain flows 0.5 GPM.

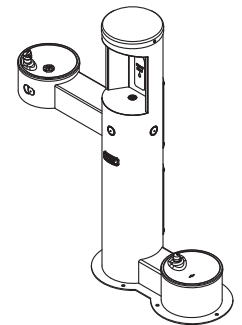
Model **CWBF-3FA** fountain shall be lead-free, adhering to ANSI/NSF 61, Section 9, ANSI A117.1 and American Disabilities Act of 2010 requirements.

Optional 316 stainless steel body (main column, flange, and cap) are available for applications in which the unit's exterior may come into contact with salt water.

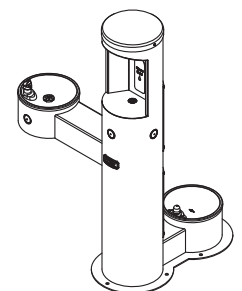
Optional mounting kit available for purchase consisting of stainless steel anchors, nuts, washers and rubber gasket washers. If optional kit is not used, stainless steel hardware recommended.



CWBF-3FA-HC-CHD



CWBF-3FA-HC-PET
(SIDE PET LOCATION)



CWBF-3FA-CHD-PET
(REAR PET LOCATION)



WARNING: Cancer and Reproductive Harm

- www.P65Warnings.ca.gov



MADE IN THE U.S.A.

visit our website at www.willoughbystainlessfountains.com

5105 West 78th Street • Indianapolis, IN. 46268
(317) 875-0830 • Fax: (317) 875-0837 • (800) 428-4065

MODEL NUMBER AND OPTIONS:

1.) Outdoor Bottle Filler Type:

- CWBF-3FA 1 Outdoor Bottle Filler, Front Approach, and 2 Drinking Fountain Bowls

[Options CONTINUED:]

- FW Foot Wash
- SOV Shut Off Valve
- SCV Seasonal Bowl Covers (2)
- WFSMK44 Bolt Hole Mounting Kit (Not req'd with Carrier option)
- WFSMK66 Bolt Hole Mounting Kit (Not req'd with Carrier option)

2.) Bottle Filler Actuator Options (select one):

- RPB Recessed Push Button
- BO Battery Operated Infrared Sensor

3.) Drinking Fountain Bowl Height (select two):

- HC Adult A.D.A.
- CHD Child
- PET Pet Bowl
 - Side
 - Rear

5.) Colors (select one):

- SL Silver
- G Green
- R Red
- BL Blue
- O Orange
- V Violet
- Y Yellow
- BR Brown
- BK Black
- BE Beige
- W White
- YG Yellow Green
- LBL Light Blue
- GT Graphite (Textured)
- MTW Matte White

4.) Options:

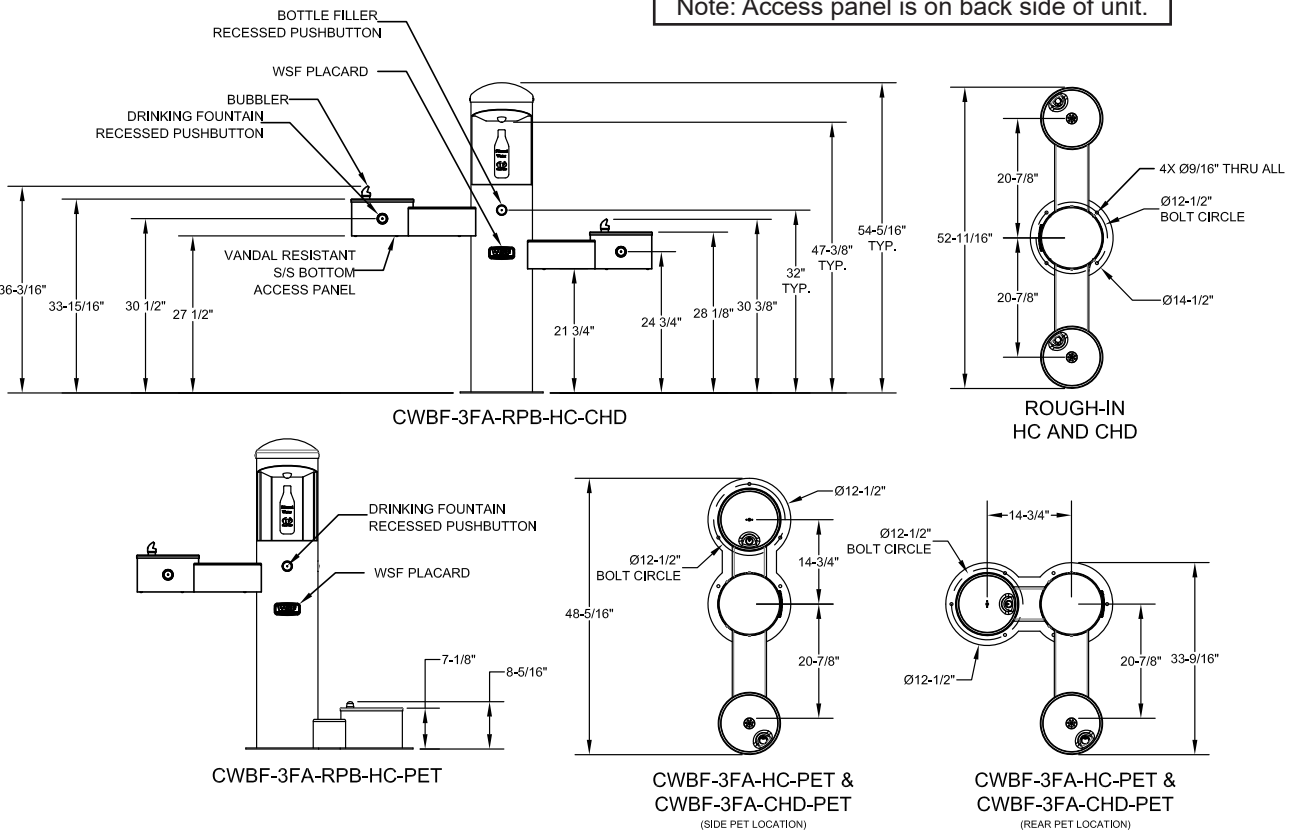
- 316-3 316 Stainless Steel Body, Triple
- CAR-1 Surface Carrier, Single (Including mounting hardware)
- CAR-2 Surface Carrier, Double (Including mounting hardware)
- JF Jug Filler
- HBE Hose Bibb Exposed
- HBLD Recessed Hose Bibb W/Lock Door
- HH Hose / Leash Hanger

[CONTINUED IN NEXT COLUMN:]

Approved For Manufacturing By: _____ Date: _____ Company: _____
 Wall Thickness: _____ Wall Type: _____

Note: Access panel is on back side of unit.

VERIFY ALL DIMENSIONS WITH FACTORY PRIOR TO ROUGH-IN
 WILLOUGHBY RESERVES THE RIGHT TO MAKE CHANGES IN DESIGN AND DIMENSIONS WITHOUT FORMAL NOTICE AND WITHOUT INCURRING OBLIGATION.



visit our website at www.wiloughbystainlessfountains.com

5105 West 78th Street • Indianapolis, IN. 46268

(317) 875-0830 • Fax: (317) 875-0837 • (800) 428-4065



MADE IN THE U.S.A.